

M48 A5



GENERAL SPECIFICATION

CREW: 4

COMBAT WEIGHT: 48 TONS
 LENGTH OVERALL: MT. 9,30
 HULL LENGTH: MT. 6,88
 WIDTH: MT. 3,63
 HEIGHT: MT. 3,06

GROUND CLEARANCE: MT. 0,42
 TRACK WIDTH: MT. 0,60

ENGINE
 AVDS-1790-2D

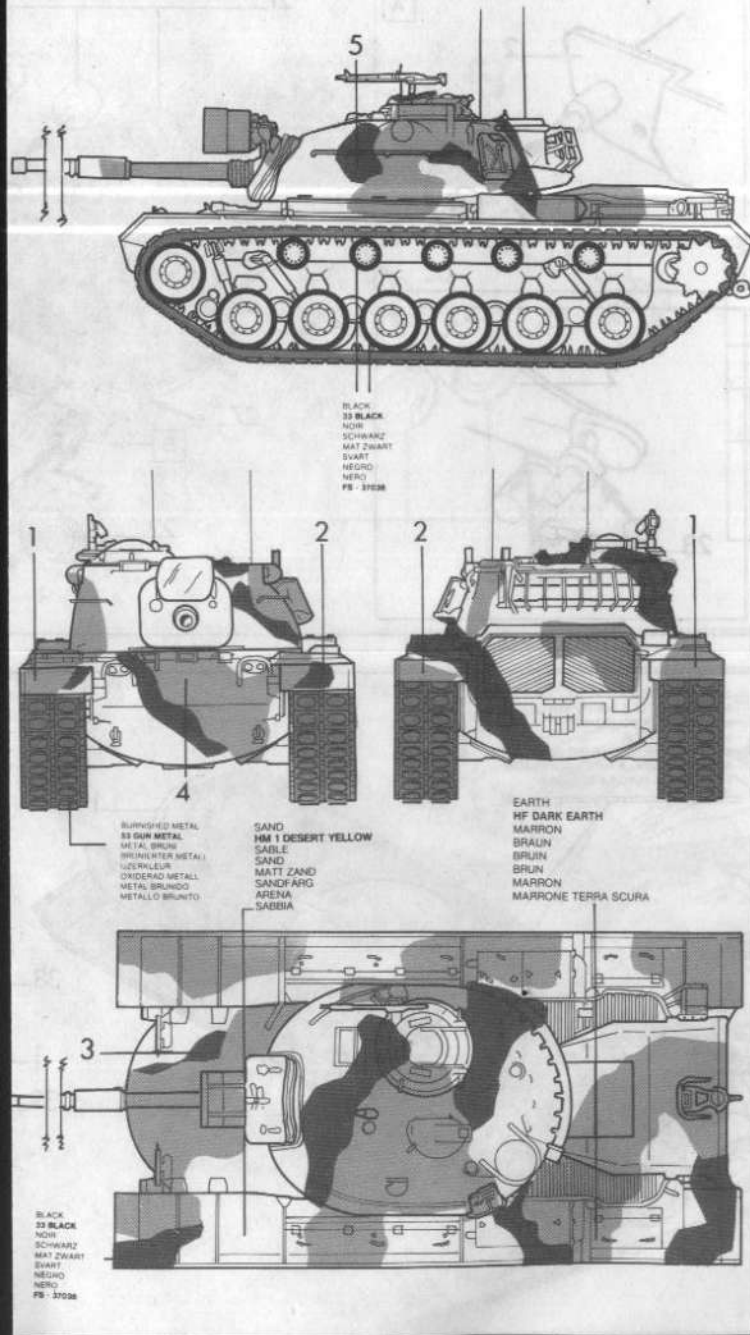
ARMAMENT
 1 105 MM GUN
 2 7,62 MACHINE GUNS

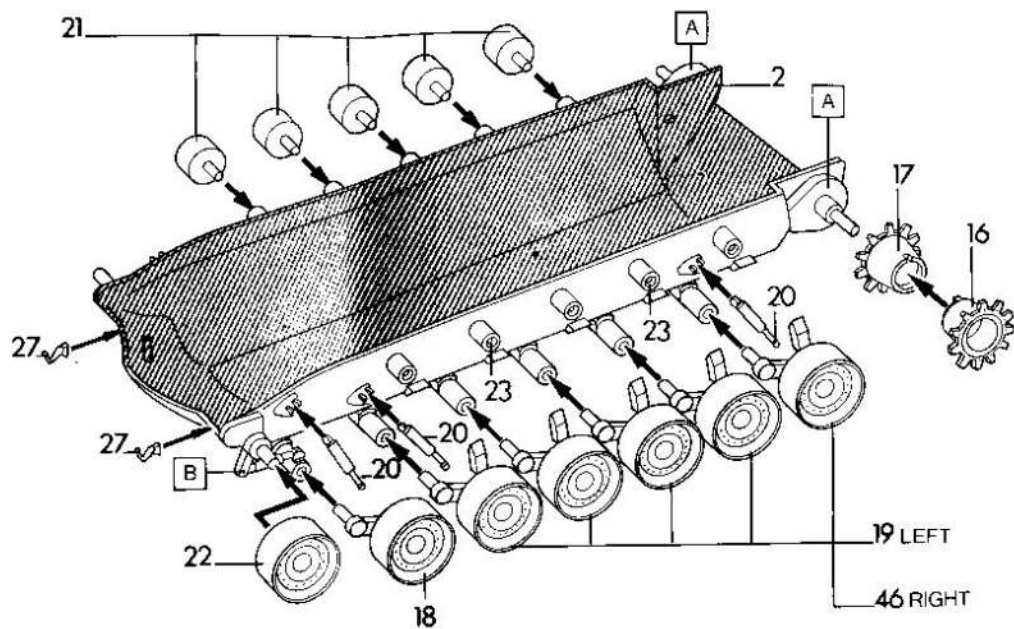
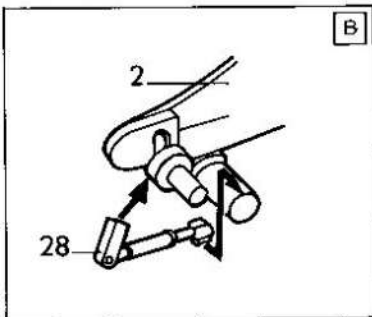
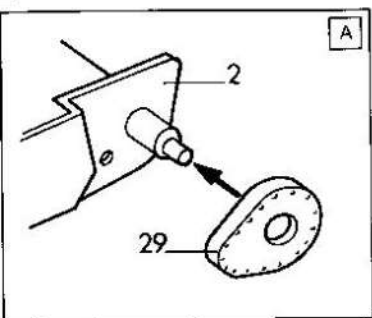


PERFORMANCE
 MAXIMUM SPEED: 48 KM/H
 COMBAT RANGE: 480 KMS

1/72 SCALE

KIT 8333





- DRILL TO PITCH
 - PERCER AVEC UN LI POINTÉ ADEQUATE
 - VORSICHTIG DURCHBOHREN
 - MAAK EEN GAATJE
 - STIJKKA HÅL MED LÅMP, INE LIDU
 - PERFORAR CON LA PUNTA ADECUADA
 - FORARE CON PUNTA ADF GUAIA

