

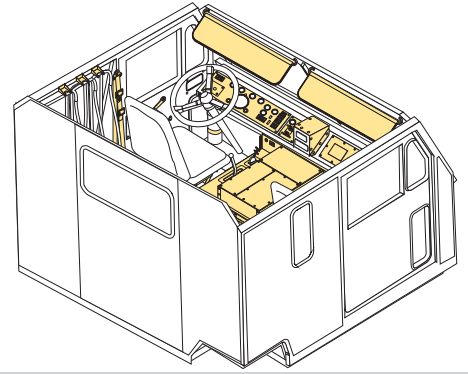
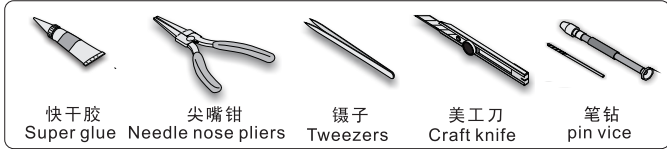
1/35 MILITARY MINIATURE VEHICLE UPGRADE SERIES PE35501

# Modern U.S. M1070 Truck Tractor Interior

## 现代美军 M1070拖车拖头驾驶室内部

[For HOBBYBOSS 85502]

### 推荐使用工具 RECOMMENDED TOOLS



Technical assistance provided by Mr.SHI LEI

- ↑  
安装  
install
- ↩  
折叠  
bend
- A1**  
改造件零件编号  
PE/resin part number
- B12**  
原零件编号  
kit part number
- C22**  
被替换的原零件编号  
replaced kit part number
- 另一侧相同制作  
repeat on opposite side
- 切除  
remove
- 打磨  
grind off
- 弧度卷曲  
radial bending
- x2**  
制作若干组  
multiple assembly
- 选择安装  
alternative
- 钻孔  
drill
- 用胶棒制作  
make from plastic rod

用尖端在凹槽处冲压  
use penpoint to press on the dent

蚀刻片零件内朝面向上  
Put the part upside down

用笔尖在凹槽处刺  
Use penpoint to press on the dent

**a**

**b**

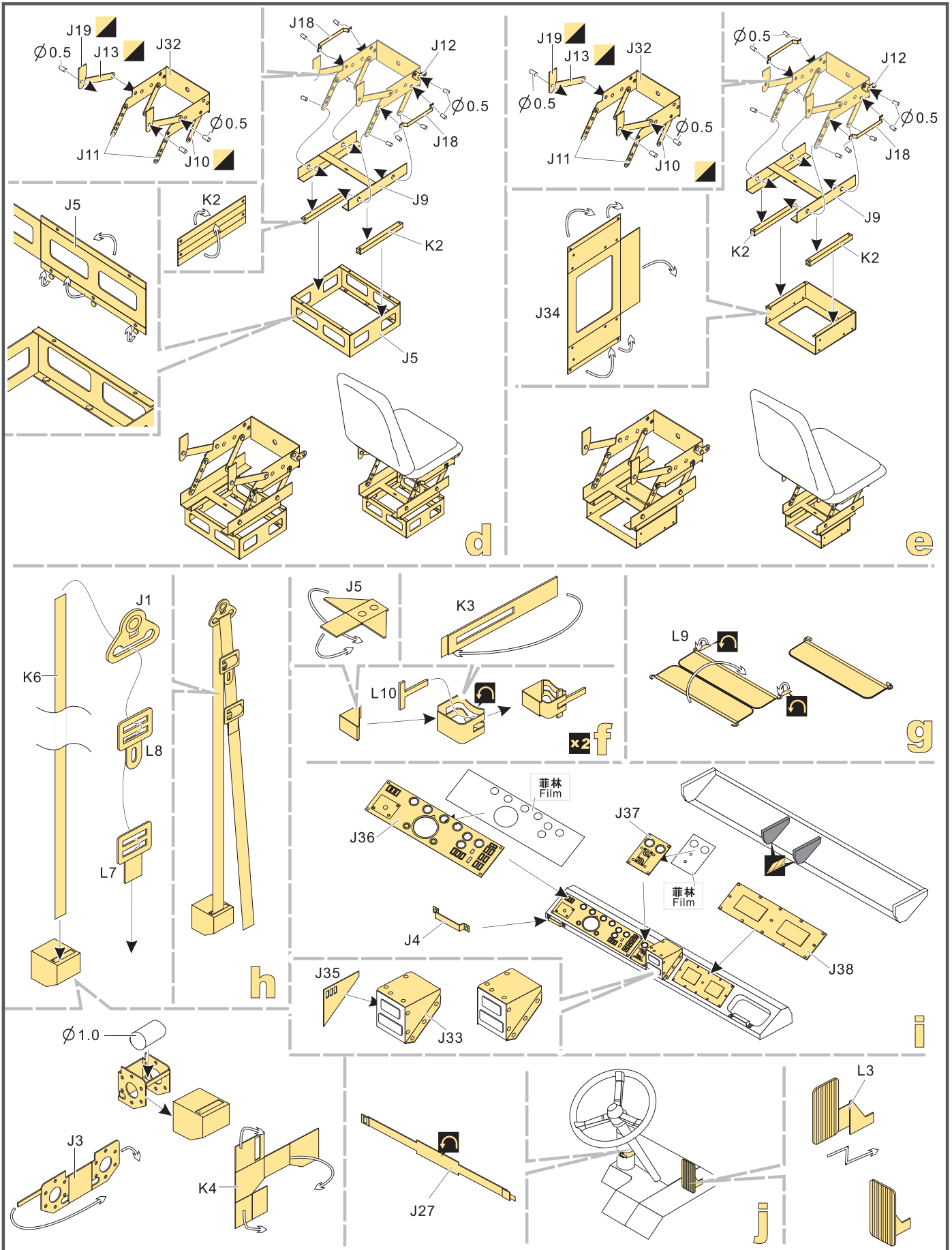
**c**

**VOYAGERMODEL** 无微不至 极尽享受

Recommended item

PE 35500	Modern U.S. M1070 Truck Tractor basic
PE 35502	Modern U.S. M1000 Trailer basic
PE 35508	Modern U.S. M1070 Truck Tractor Armour Cabin basic
PEA 289	Modern US Army M1070 Road Wheels (9PCES)
PEA 290	Modern US Army M1000 Road Wheels (42PCES)

1/35 MILITARY MINIATURE VEHICLE UPGRADE SERIES PE35501



1/35 MILITARY MINIATURE VEHICLE UPGRADE SERIES PE35501

