

EagleCals  
EC#179

1/72  1/48  1/32

# Fw 190 A-4/5s

eagle  
EDITIONS LTD.



"Yellow 11" 3./JG 26  
Spring 1943 Russia



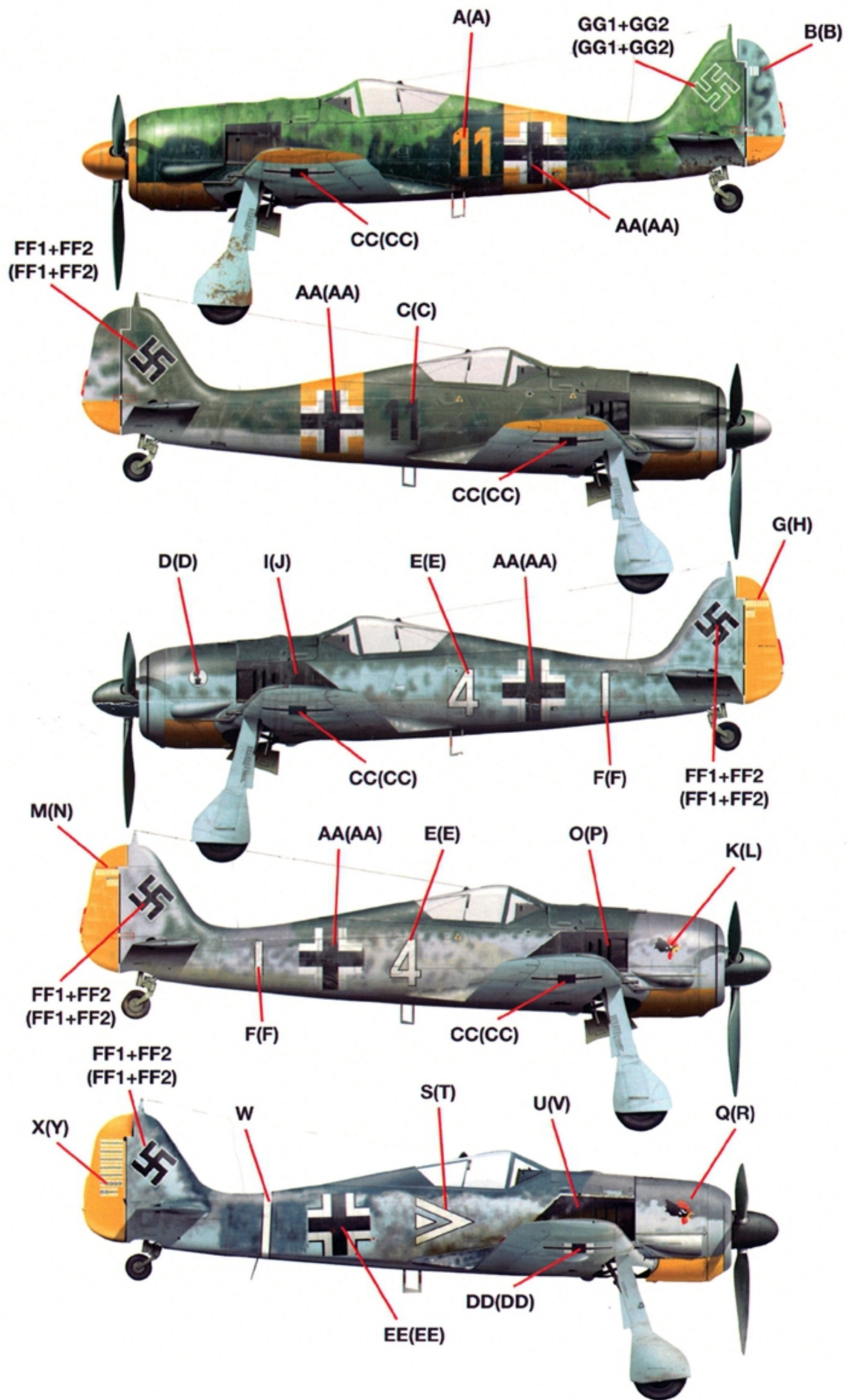
"Black 11" 5./JG 54 Gerhard Thyben  
May 1944 Petsari, Northern Russian Front



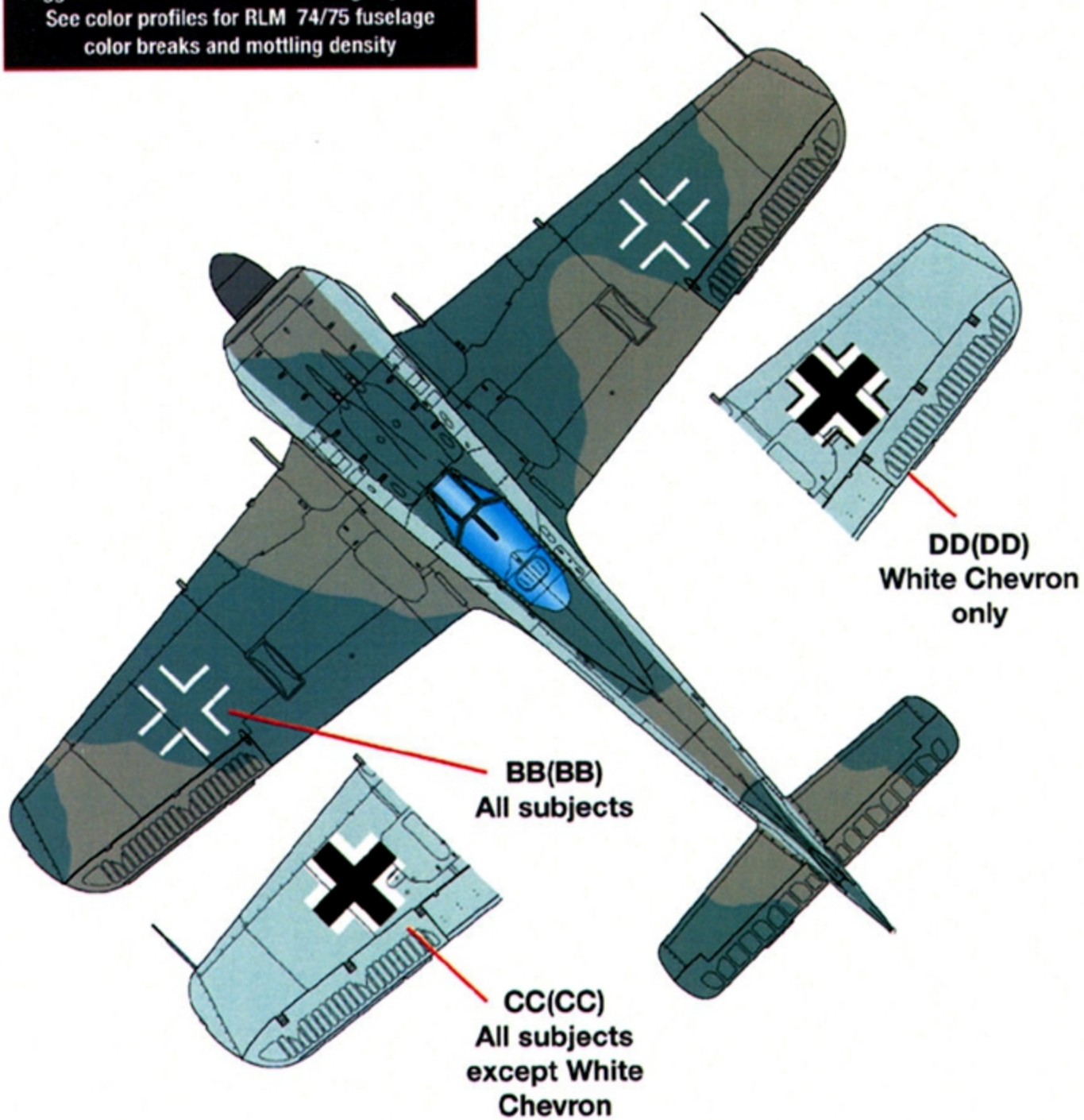
"White 4" 7./JG 2 Lt. Georg-Peter Eder  
Jan 1943 Vannes, France



"White Chevron Triangle" III./JG 2 Gruppenkommandeur Hptm. Egon Mayer  
After 1 Nov 1942 Vannes, France



Suggested Fw 190 A dorsal camouflage pattern.  
See color profiles for RLM 74/75 fuselage  
color breaks and mottling density



# EagleCals #179

# Fw 190 A-4/5s

---

**Fw 190 A-5 "Yellow 11" W.Nr. Unknown Pilot: Unknown 3./JG 26 Spring 1943, Russia**

**Colors:** Upper Surfaces: Undocumented Medium Green/RLM 70 Black-Green segments  
RLM 04 Yellow under cowling, cowl ring, spinner, under wing tips, lower portion of rudder and band behind fuselage cross

Under Surfaces: RLM 76 Light Blue

Prop & Spinner: RLM 70 Black-Green; spinner: RLM 04 Yellow

**National Insignia:** Wings: Upper 910 mm crosses; Lower: 900 mm crosses

Fuselage: 800 mm crosses; 420 mm *Hakenkreuz*

**Stencilling:** Factory standard over painted; three White victory bars on both sides of rudder

**References:** *Fighters of the Iron Cross*, Jerry Crandall 2021, Eagle Editions Ltd. LLC

---

**Fw 190 A-4 "Black 11" W.Nr. Unknown Pilot: Gerhard Thyben 5./JG 54 May 1944, Russia**

**Location:** Petseri, Northern Russian Front Note: no outboard MG FF 20 mm cannons

**Colors:** Upper Surfaces: Unit applied RLM 71 Dark Green and RLM 70 Black-Green  
RLM 04 Yellow fuselage band behind cross, under cowl, under wing tips and lower portion of rudder  
Black exhaust panel

Under Surfaces: RLM 76 Light Blue

Prop & Spinner: RLM 70 Black-Green with white spinner tip

**National Insignia:** Wings: Upper 910 mm crosses; Lower: 900 mm crosses

Fuselage: 800 mm crosses; 420 mm *Hakenkreuz*

**Stencilling:** Factory standard; no II. Gruppe bar

**References:** *Fighters of the Iron Cross*, Jerry Crandall 2021, Eagle Editions Ltd. LLC

---

**Fw 190 A-4 "White 4" W.Nr. Unknown Pilot: Lt. Georg-Peter Eder 7./JG 2 Jan 1943 Vannes, France**

**Colors:** Upper Surfaces: RLM 75 Gray-Violet/ RLM 74 Gray-Green; Yellow rudder with 12 victory bars, Yellow under cowling, Black exhaust design on both sides of fuselage

Under Surfaces: RLM 76 Light Blue

Prop & Spinner: RLM 70 Black-Green

**National Insignia:** Wings: Upper 910 mm crosses; Lower: 900 mm crosses

Fuselage: 800 mm crosses; 420 mm *Hakenkreuz*

**Stencilling:** Factory standard; 7./JG 2 unit emblem on both sides of engine cowling

**References:** *Fighters of the Iron Cross*, Jerry Crandall 2021, Eagle Editions Ltd. LLC

---

**Fw 190 A-4/U7 "White Chevron Triangle" W.Nr. 2472 III./JG 2 After Nov 1942 Vannes, France**

**Pilot:** *Gruppenkommandeur* Hptm. Egon Mayer

**Notable features:** Supercharger air scoops on both sides of engine cowling; 2 MG 151 20 mm cannons inboard; 2 MG FF 20 mm cannons in the outboard wing position; FuG 25a antenna

**Colors:** Upper Surfaces: RLM 75 Gray-Violet/ RLM 74 Gray-Green; Yellow rudder with 62 victory bars, Yellow under cowling, Black design on exhaust area of fuselage trimmed in White

Under Surfaces: RLM 76 Light Blue

Prop & Spinner: RLM 70 Black-Green

**National Insignia:** Wings: Upper 910 mm crosses; Lower: 900 mm crosses

Fuselage: 800 mm crosses; 420 mm *Hakenkreuz*

**Stencilling:** Factory standard; III./JG 2 rooster head emblem on both sides of engine cowling

**References:** *Fighters of the Iron Cross*, Jerry Crandall 2021, Eagle Editions Ltd. LLC

---

© 2021 Eagle Editions Ltd. All images/photos copyrighted by

Eagle Editions Ltd. LLC

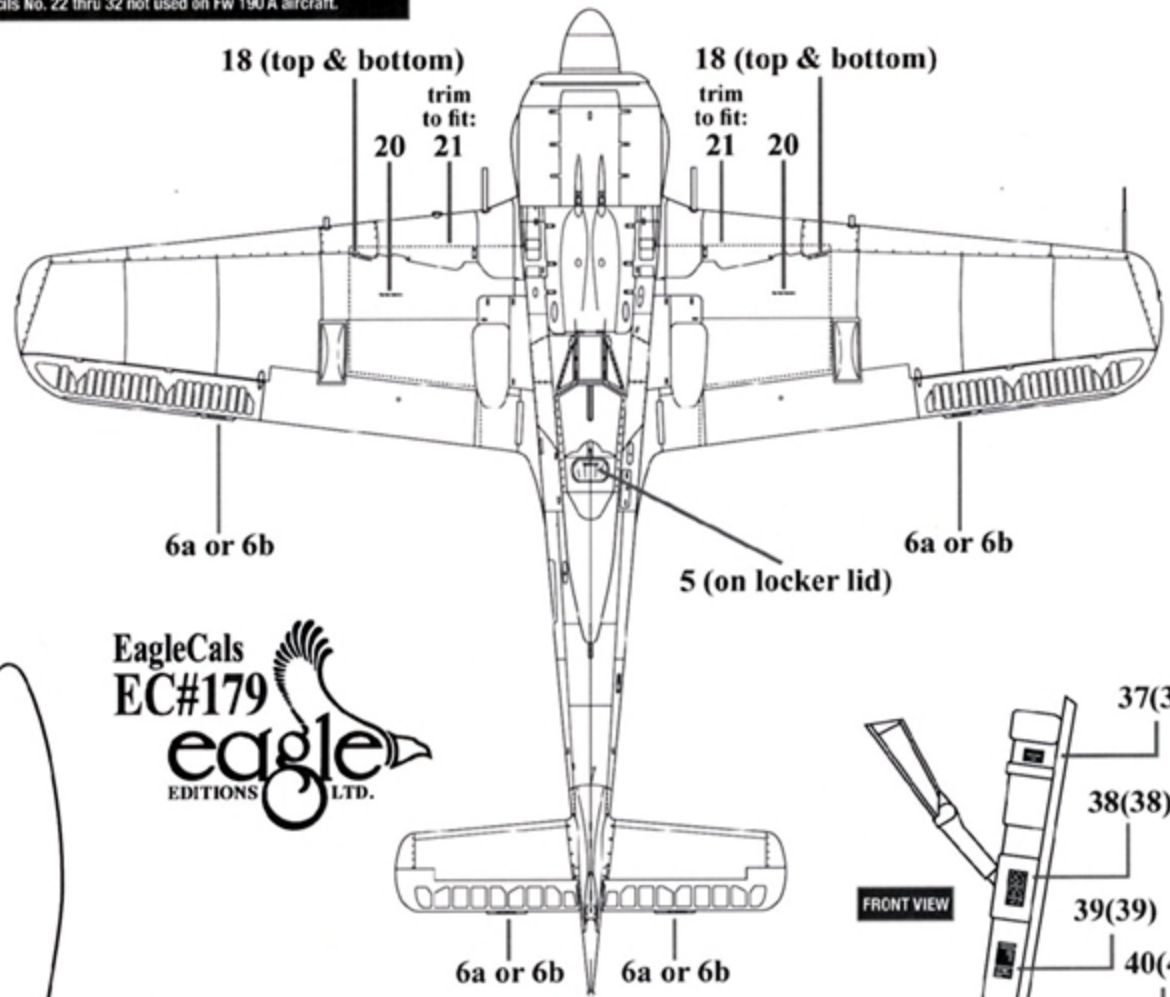
752 Bobcat Lane Hamilton MT 59840

[www.eagle-editions.com](http://www.eagle-editions.com)

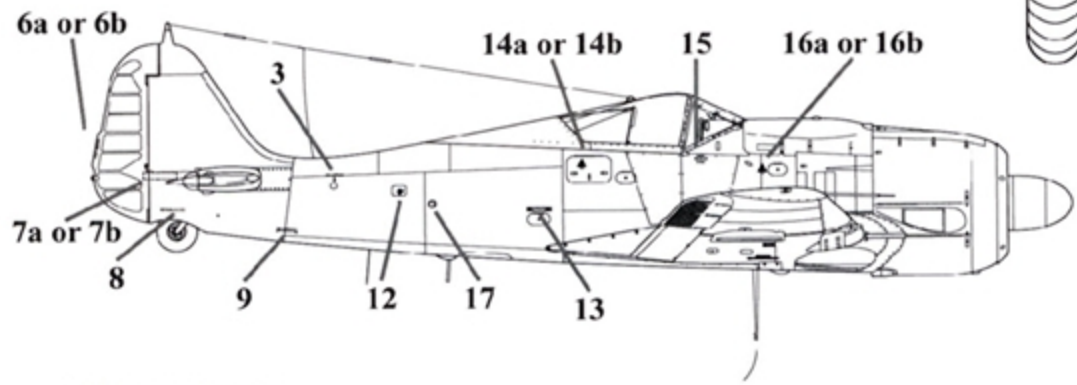
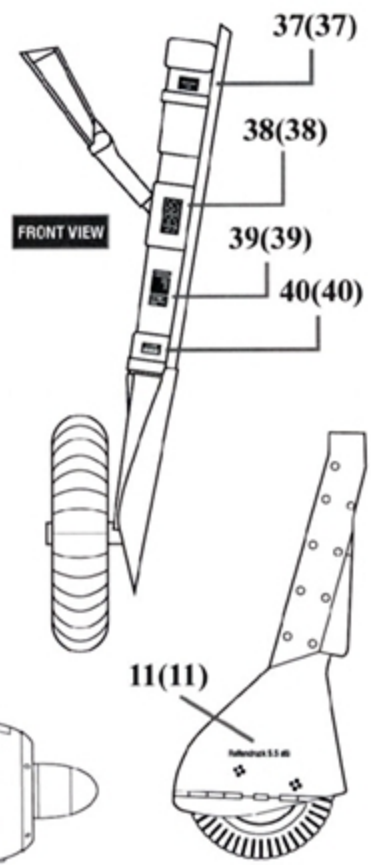
No copies may be reproduced without written consent from publisher Eagle Editions Ltd. LLC  
The color schemes depicted are the artist's interpretations of the available photographic references only.  
The final decision resides with the modeler.

NOTE: Stencil diagram drawings are representational only. Check your reference for the specific detail and differences between variants. Stencils No. 22 thru 32 not used on Fw 190 A aircraft.

EagleCals EC#179 • ©2021 Eagle Editions Ltd.



Fw 190A-1 thru A-4 use 41  
Fw 190A-7 thru A-8 with EXTERNAL WEIGHTS use 42  
Fw 190A-5 thru A-9 use 43



PROPELLERS  
Provisional! Not to scale!

