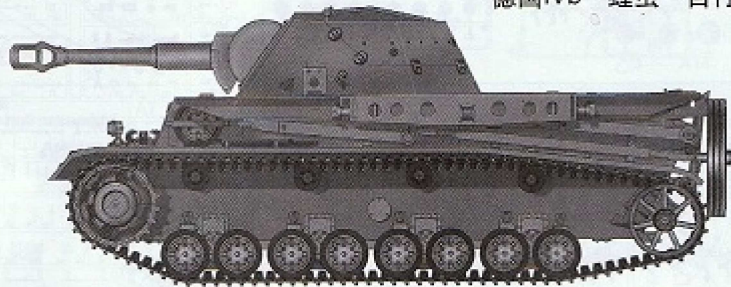


1:35 SCALE

ITEM NO.:00373

German Heuschrecke IVb "Grasshopper" 10.5cm le FH 18/1 L/28 auf Waffentrager IVb

德国IVb“蝗虫”自行榴弹炮



READ BEFORE ASSEMBLY:

- Study and understand these instructions thoroughly before beginning assembly
- When needed, remove photo-etch parts carefully using a modelling knife or photo etch sprue cutter, being careful not to damage or lose small parts.
- Take extra care in handling photo etch parts in order to avoid injury
- Apply instant cement sparingly to photo etch parts where instructed
- Tools recommended(not included in kit):Plastic and instant cements, sprue cutters,long nose pliers,modeling knife, small files, tweezers, pin vise & scissors. Soft cloth and sandpaper will also assist in construction
- Glue and paint are not included in the kit. Use plastic cement and hobby paints only. Color guide for purchasing paint is included in the kit.

装配之前仔细阅读

- 小心用模型锉刀锉平所有零件表面的注射浇口。
- 小心用刀片切下蚀刻片零件，不要遗失小零件。
- 用强力快干胶水粘合蚀刻片零件和金属轴。过量快干胶水使用可能导致可动零件会粘住，小心涂胶。
- 取蚀刻片时应特别注意安全，防止利边划伤手指。
- 某些零件表面需贴上水贴纸，请选择在装配的同时进行。
- 推荐模型工具(自备)：胶水，水口剪刀，长咀钳，刀片，锉刀，镊子，钳，钻，剪刀，瞬间快干胶。
- 软布同砂纸同时也应该是必备工具。
- 请使用塑料胶水和油漆，模型内不含。



配重
Weight



使用强力胶
Cyanoacrylate glue



钻孔
Make hole



切除
Cut / Remove



贴纸
Decal



锉刀
File / Sand



选项
Option



不涂胶水
No cement



弯曲
Bend

水贴纸的使用:

- 1.从水贴纸上取下印花;
- 2.将印花放入温水中浸10秒,然后放在干净布上。
- 3.拿着印花板将印花移到模型上;
- 4.手指蘸水将印花移到适当的位置;
- 5.用软布轻压印花直至水干,气泡消失

DECAL APPLICATION

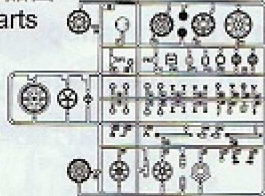
- 1.Cut decals from sheet as needed
- 2.Dip the decal in warm water for about 10 seconds and then place on soft clean cloth.
- 3.Hold the decal backing sheet edge and gently slide the decal onto the model in its proper position.
- 4.While still wet,decal can be adjusted for better fit on model by dampening it gently with your finger.
- 5.When placed in the proper position,gently press decal down with a soft cloth until excess water and air bubbles are gone.
- 6.Allow decal to dry completely before handling model

00373

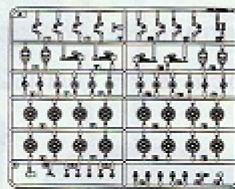
1

部品图
Parts

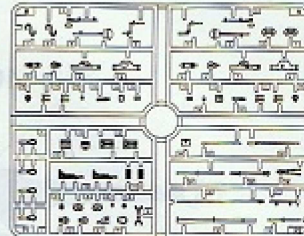
B × 2



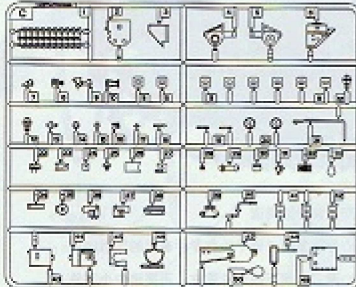
A × 2



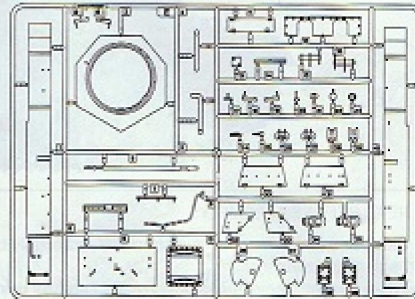
N, M, P × 2



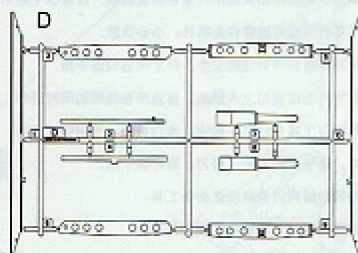
C



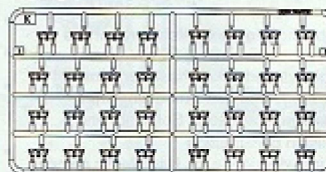
E



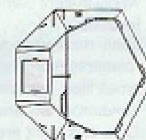
D



K × 8



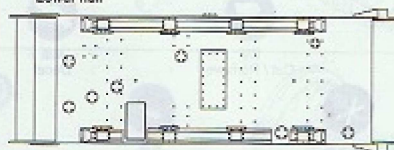
<<炮塔>>
Turret



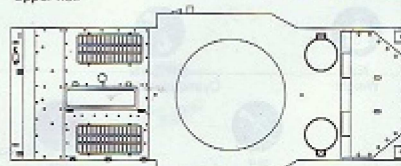
<<链条>>
Chain $\phi 0.4 \times 650\text{mm}$



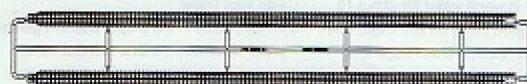
<<底盘>>
Lower hull



<<上部>>
Upper hull



<<履带>>
Track

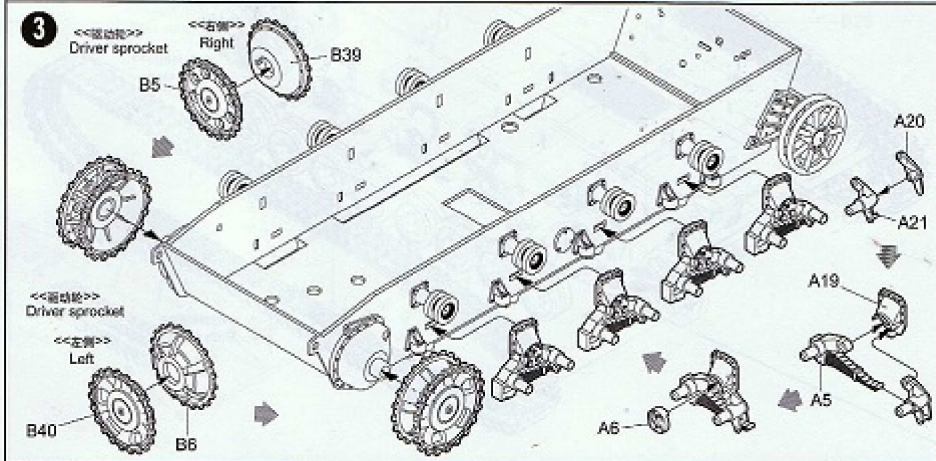
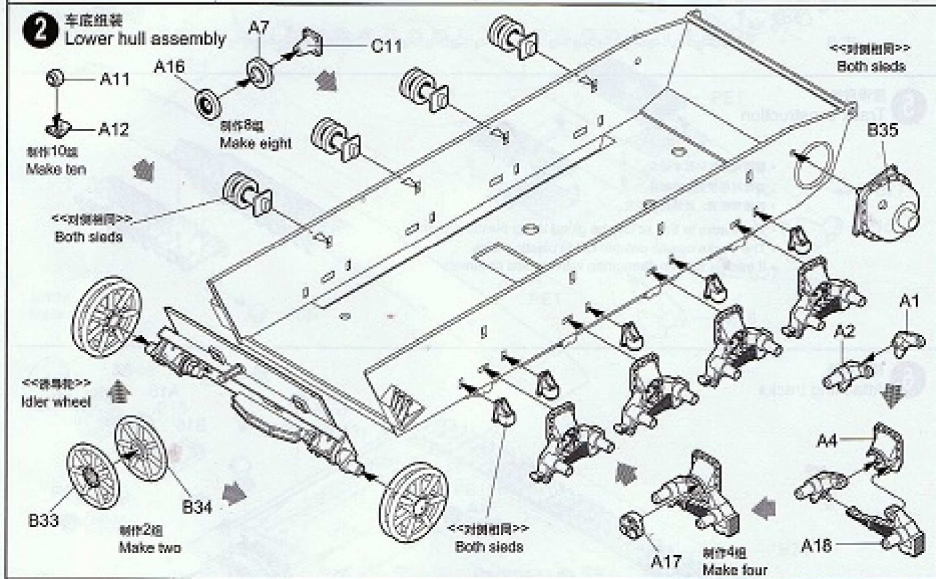
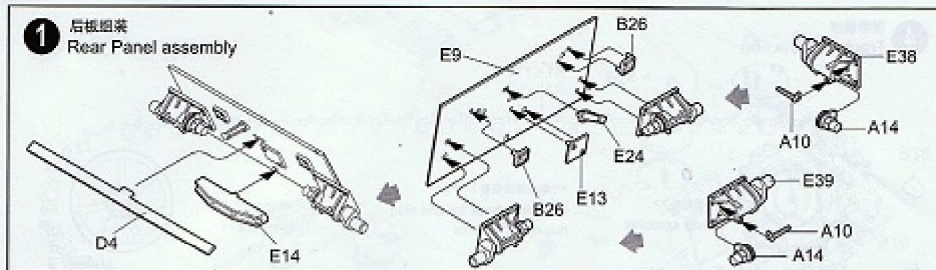


+0123456789
+0123456789

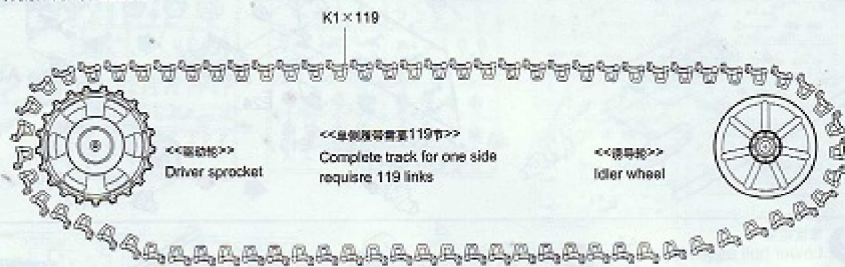
<<水贴>>
Decal

<<塑料片>>
PE



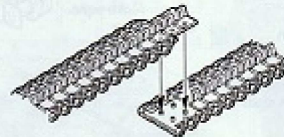


4 履带联接
Track construction

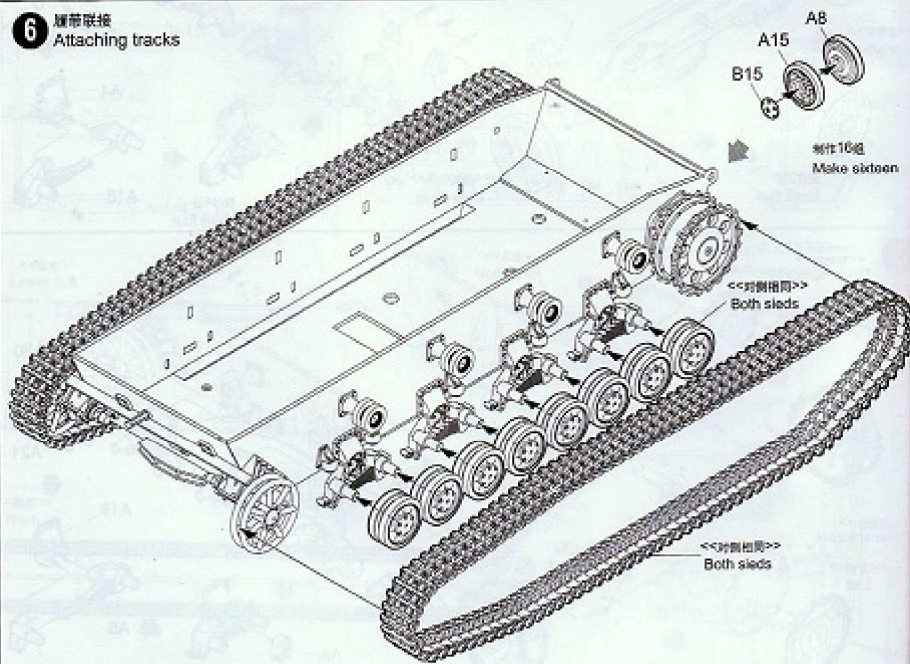


5 履带联接
Track construction

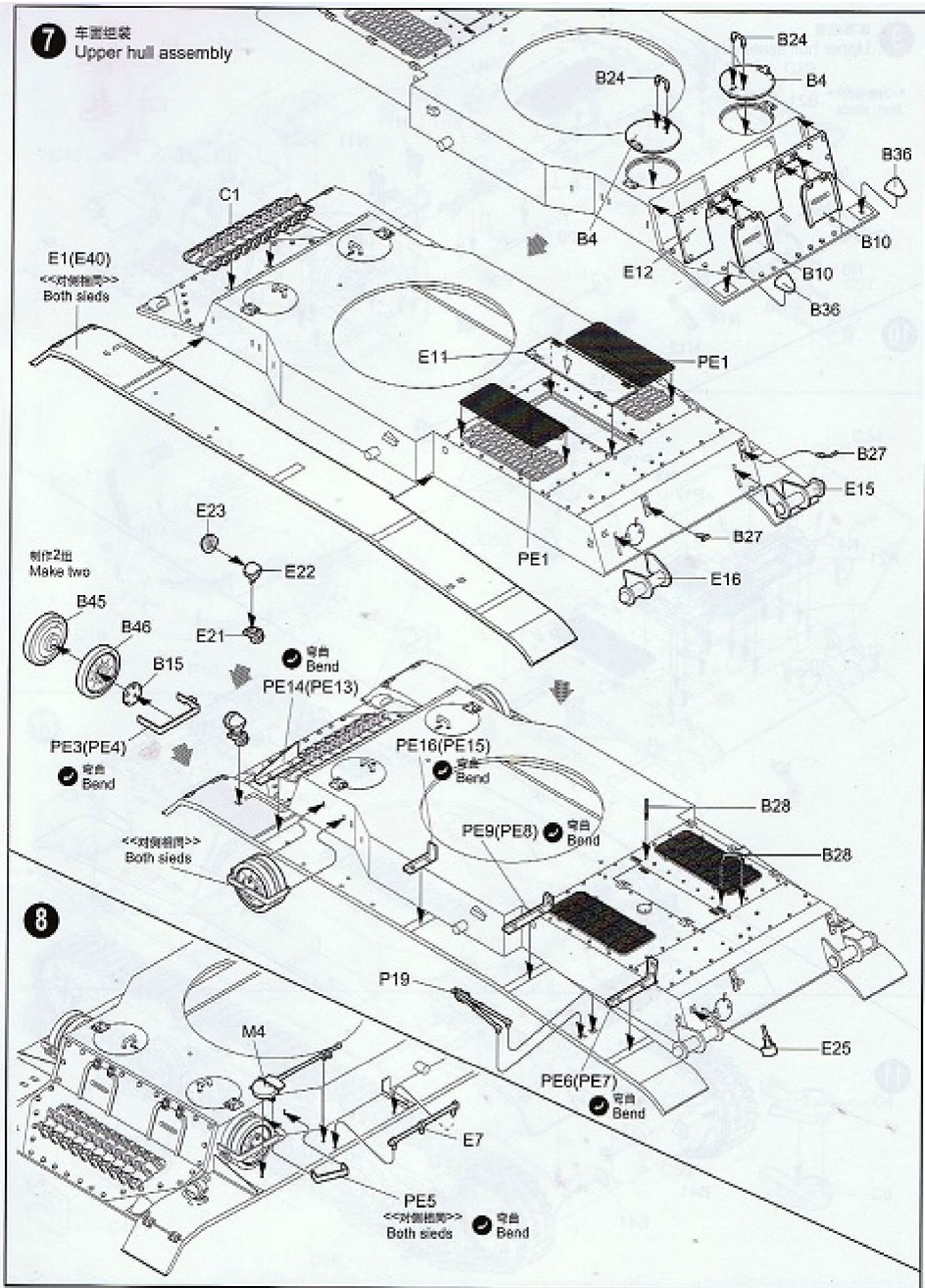
- 履带可用塑料胶水粘合。
- 履带可用模型油漆喷涂。
- 若履带断裂，用细铁丝固定。
- The tracks in this kit can be glued using plastic cement.
- The tracks can be painted using plastic paints.
- If track is broken strengthen with staples or thread.



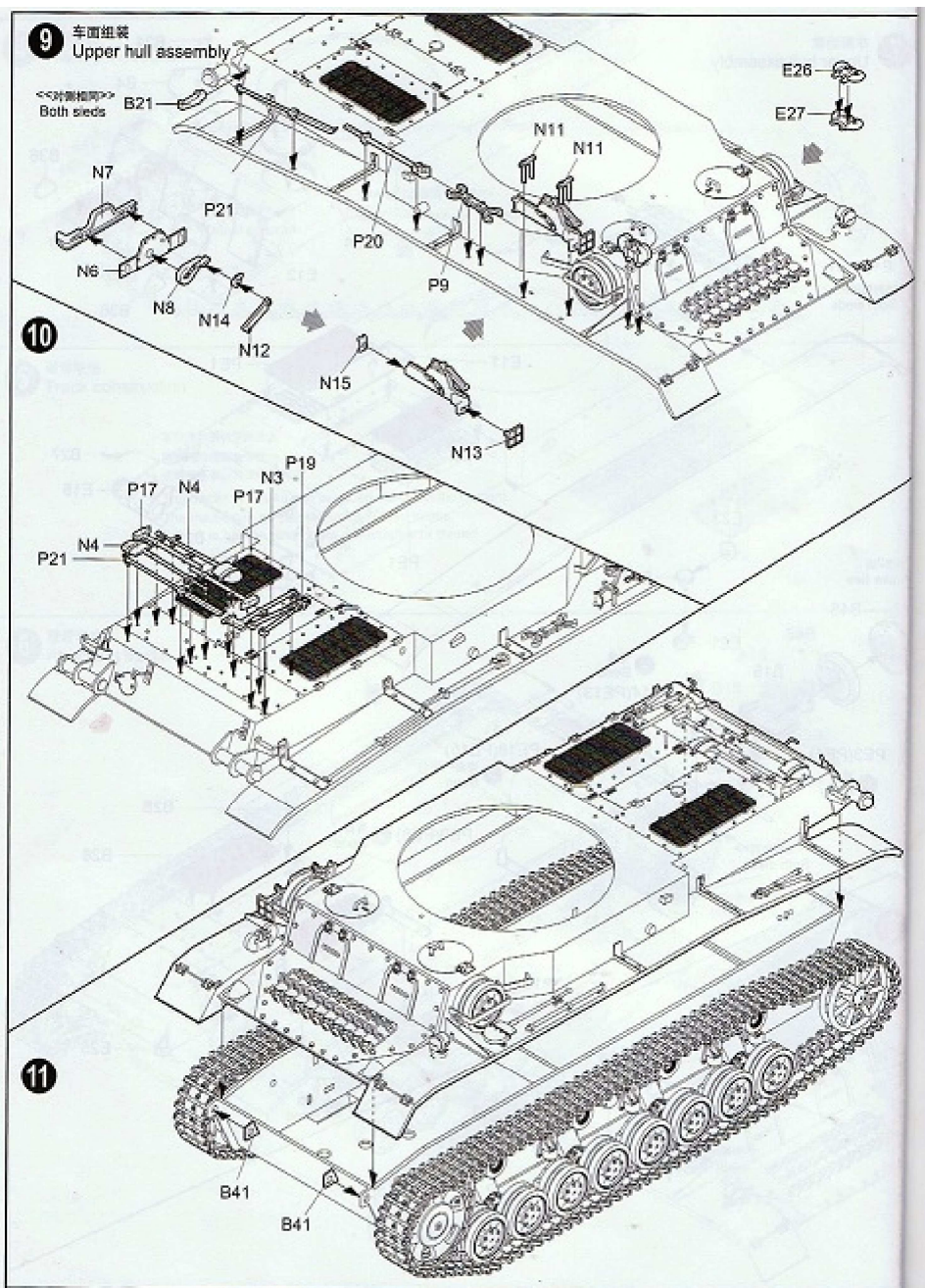
6 履带联接
Attaching tracks



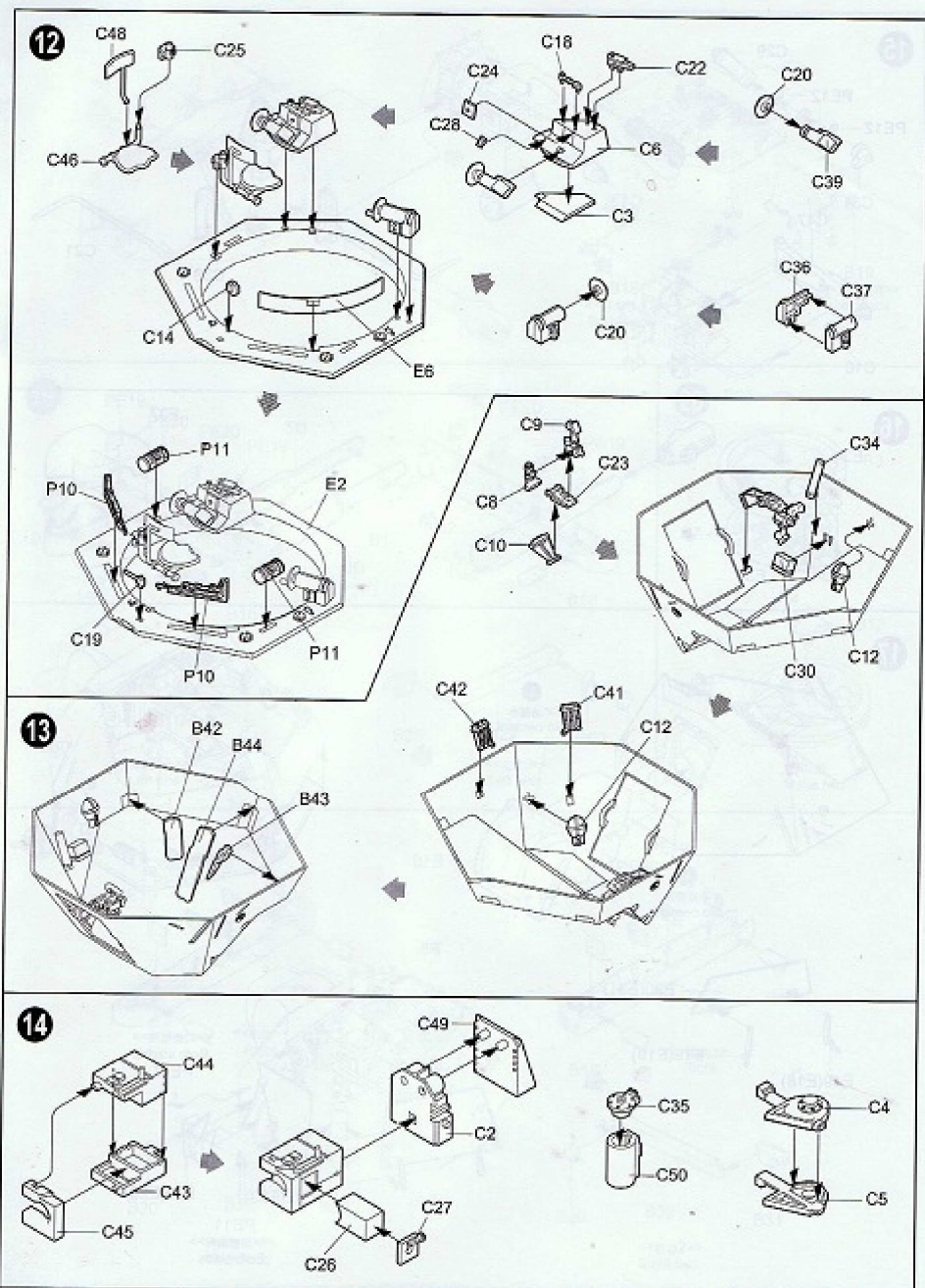
7 车盖组装
Upper hull assembly



00373

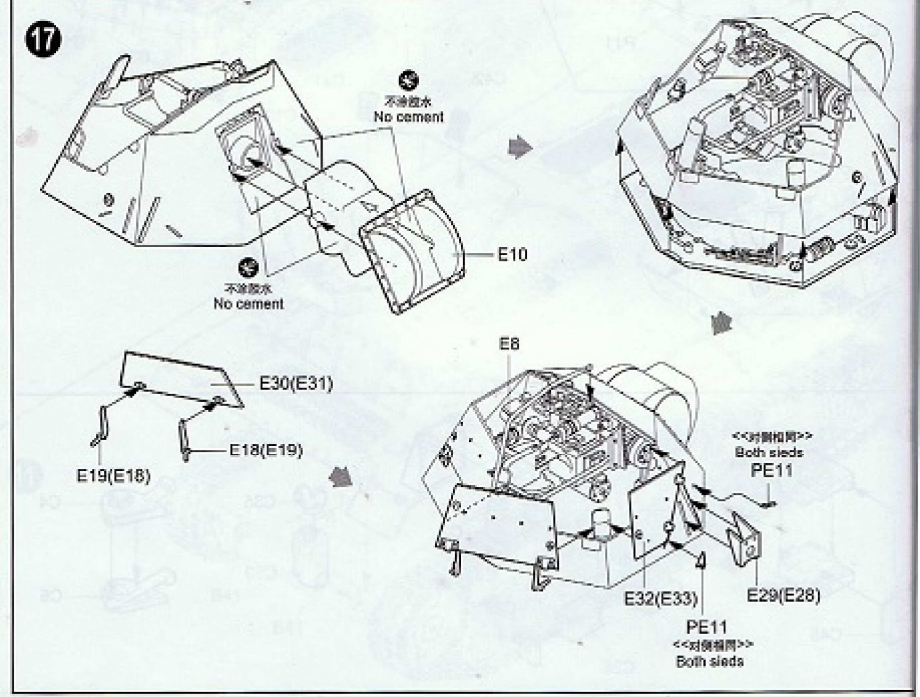
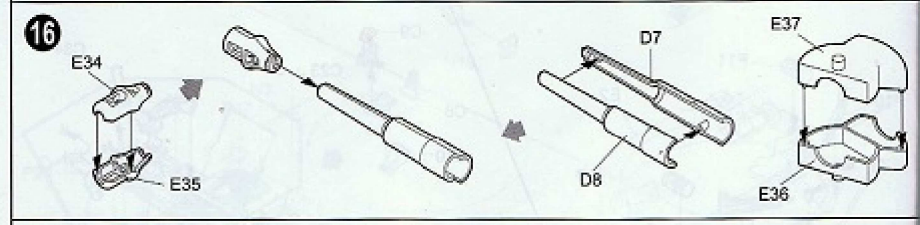
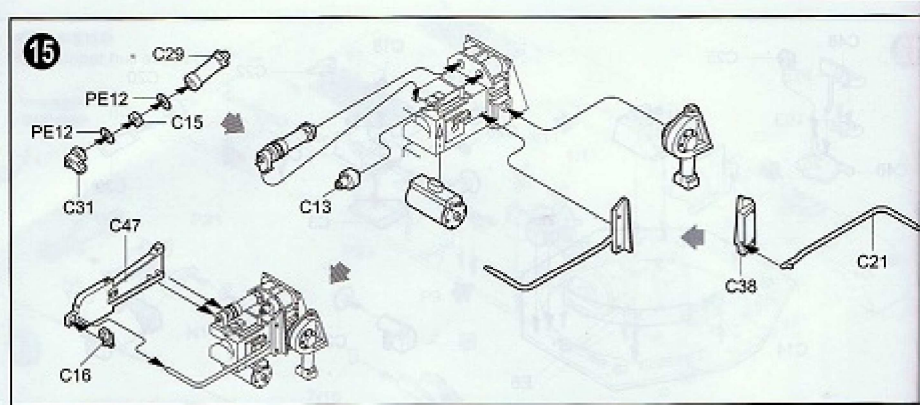


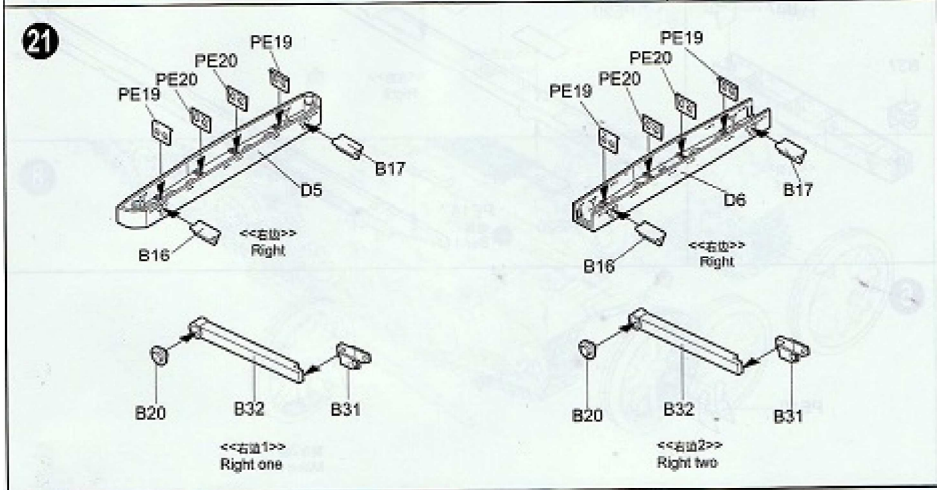
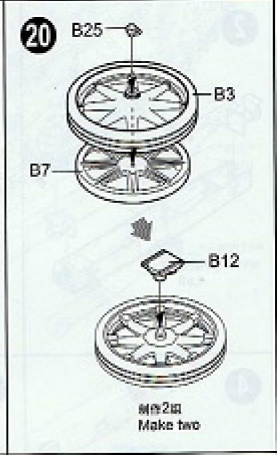
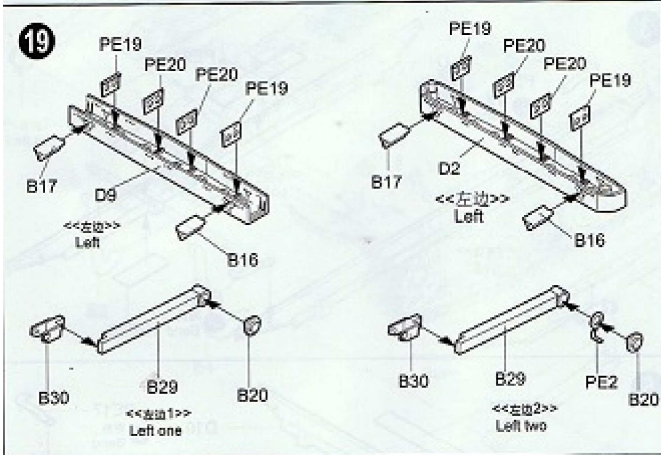
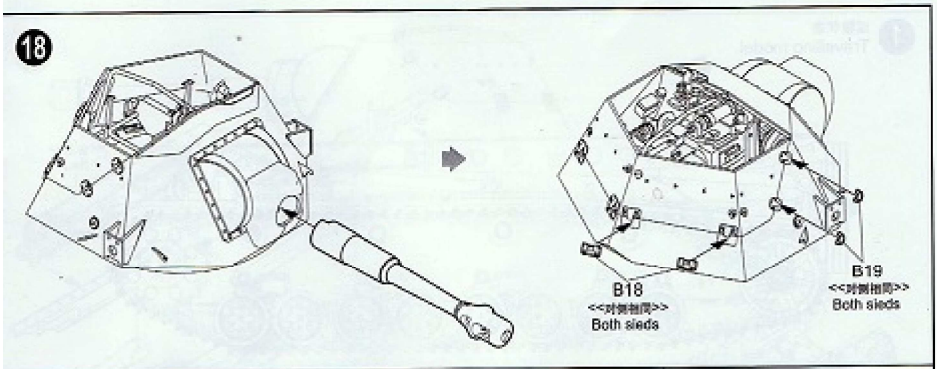
00373



00373

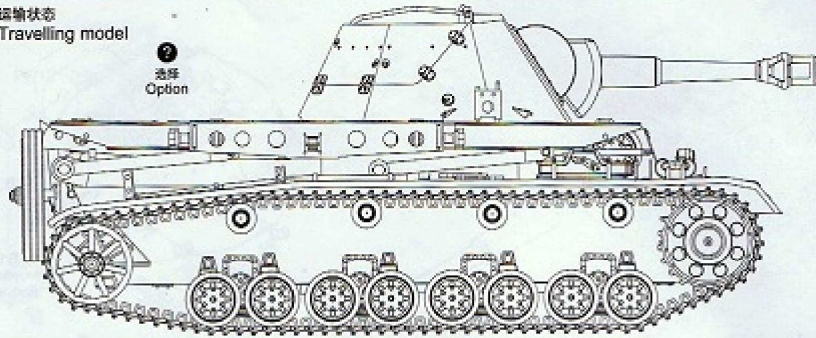
C1200



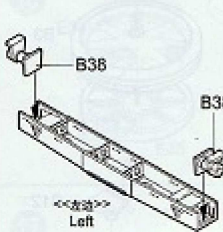


1 运输状态
Travelling model

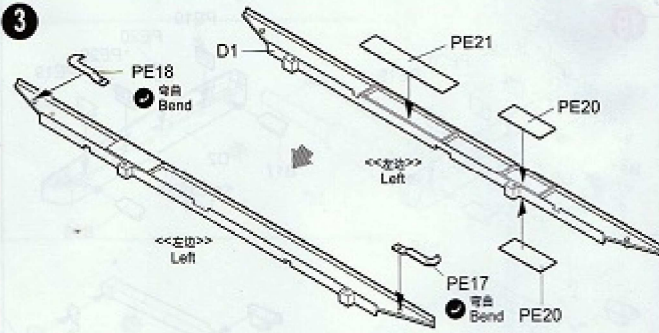
选项
Option



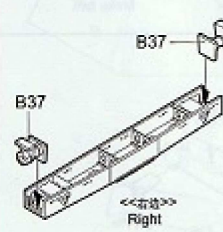
2



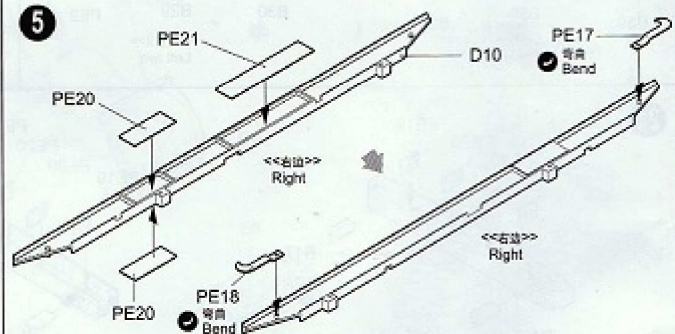
3



4

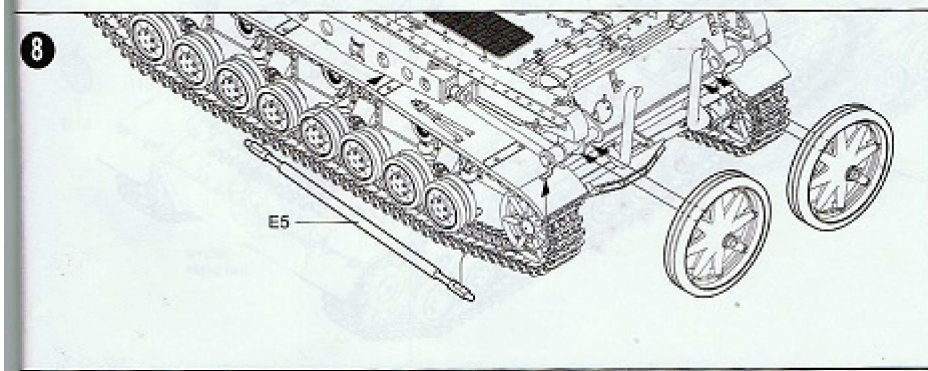
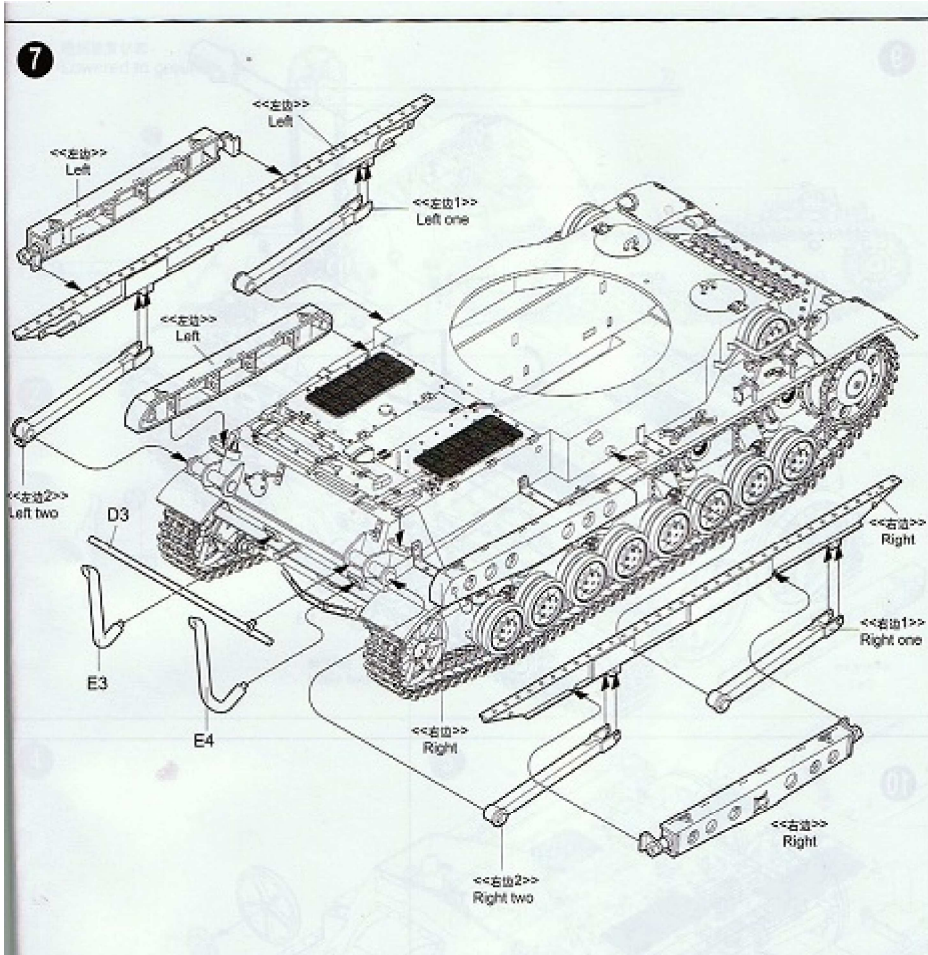


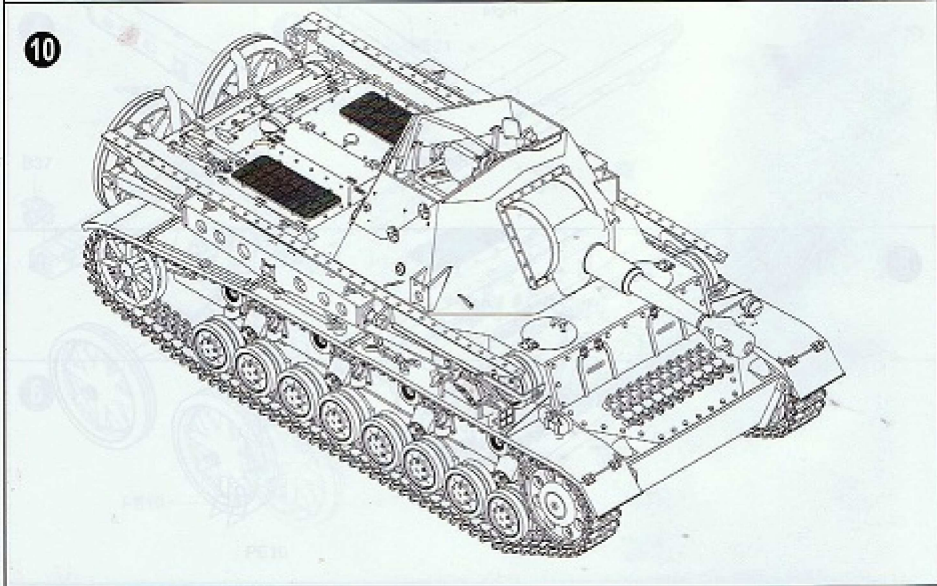
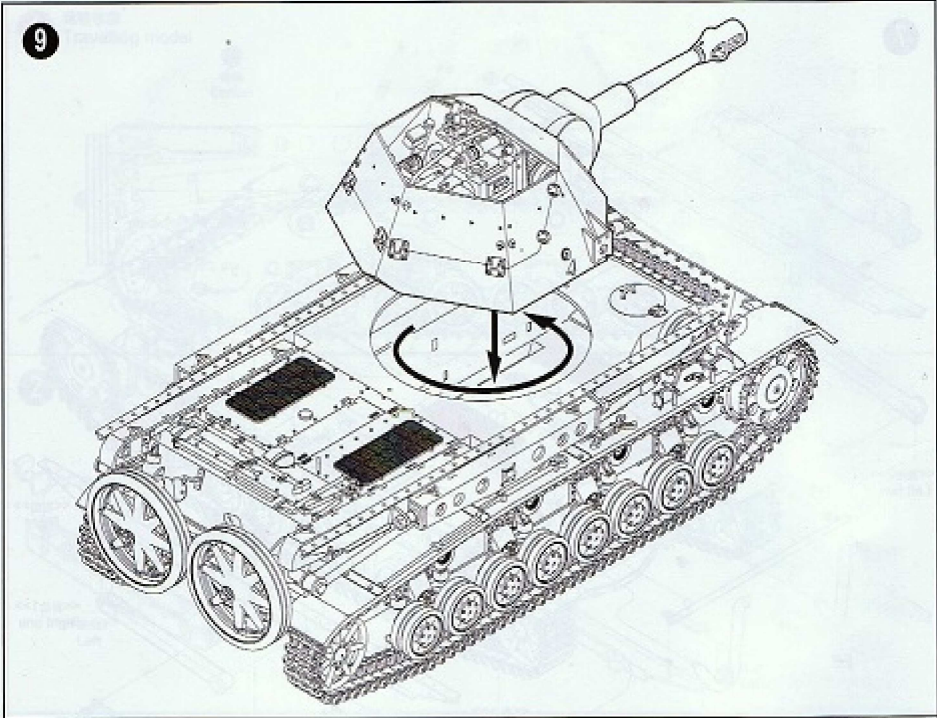
5

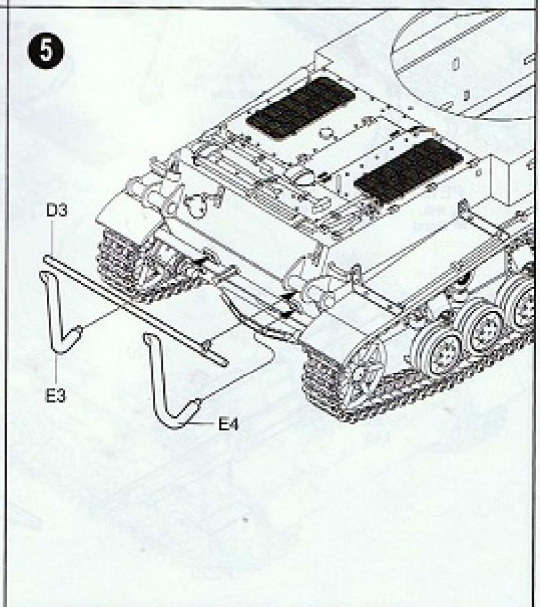
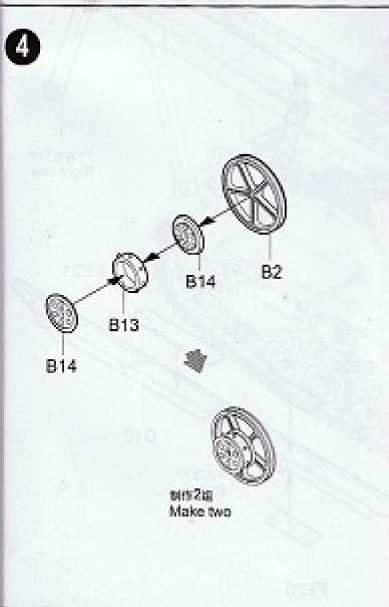
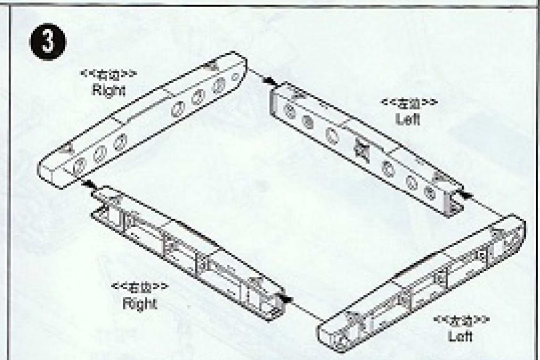
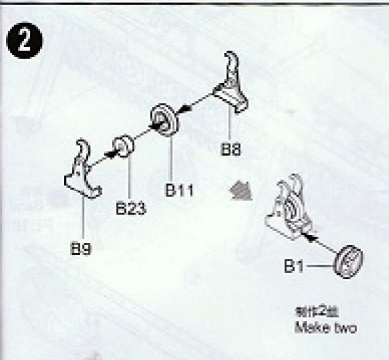
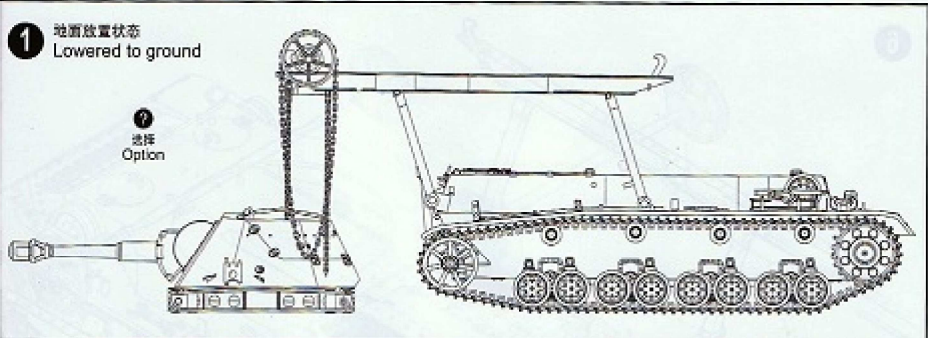


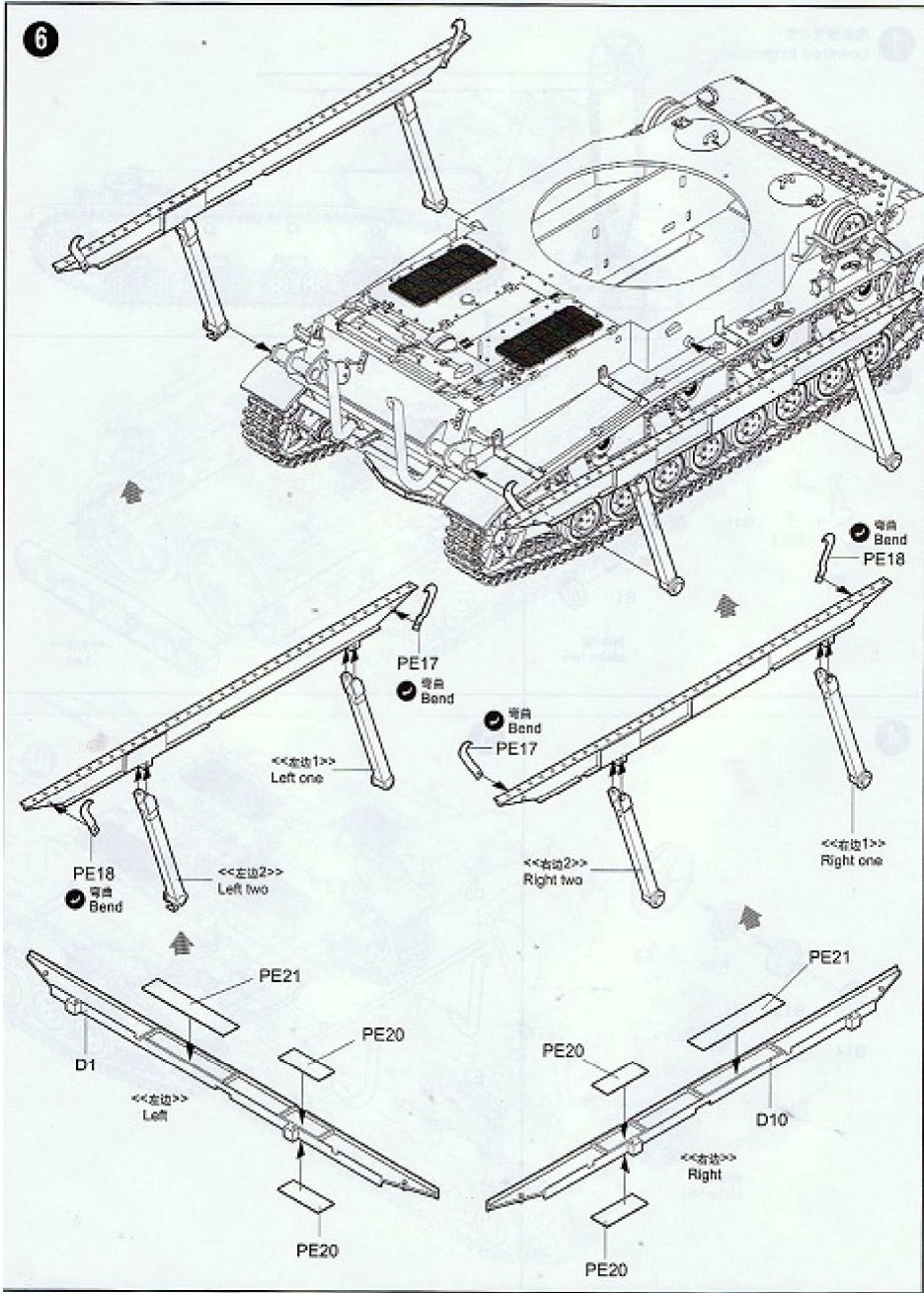
6





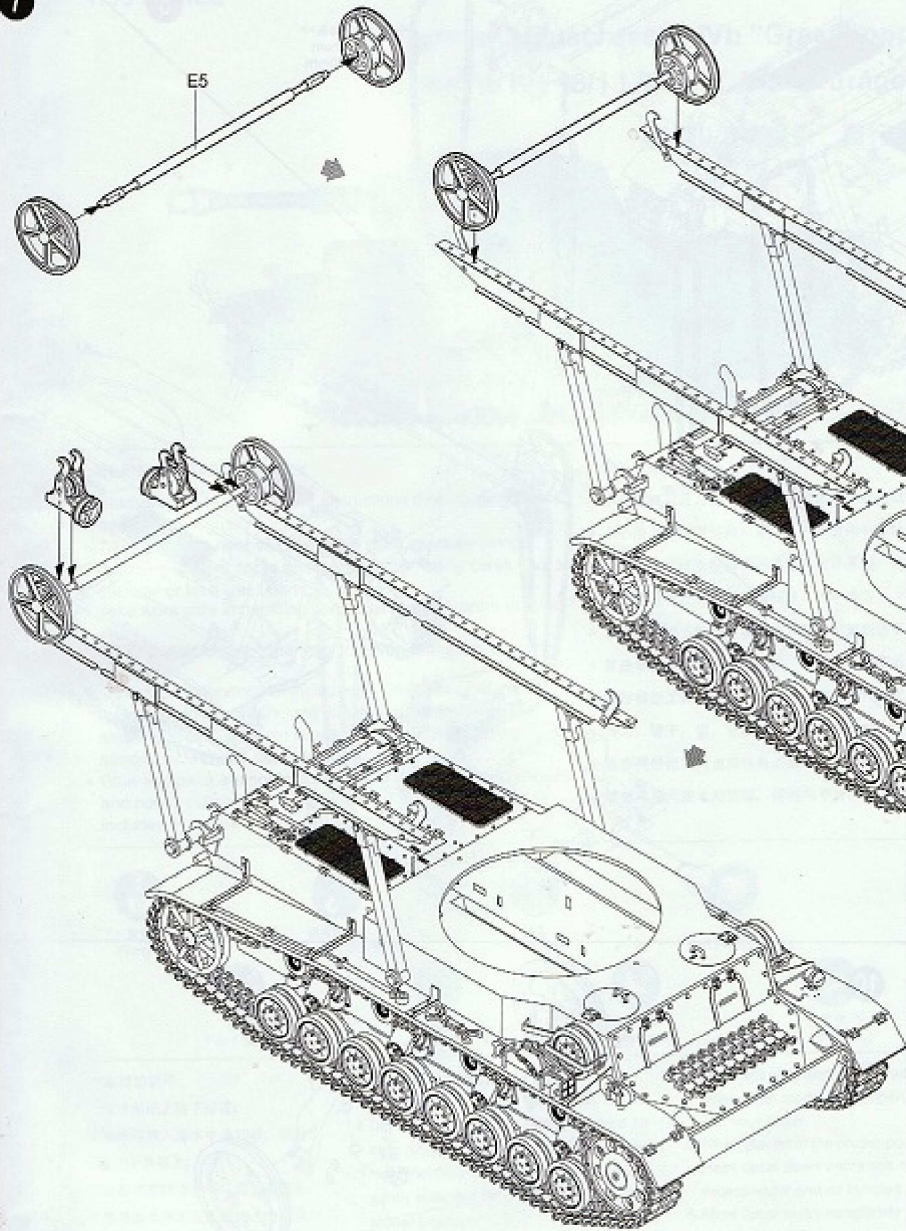






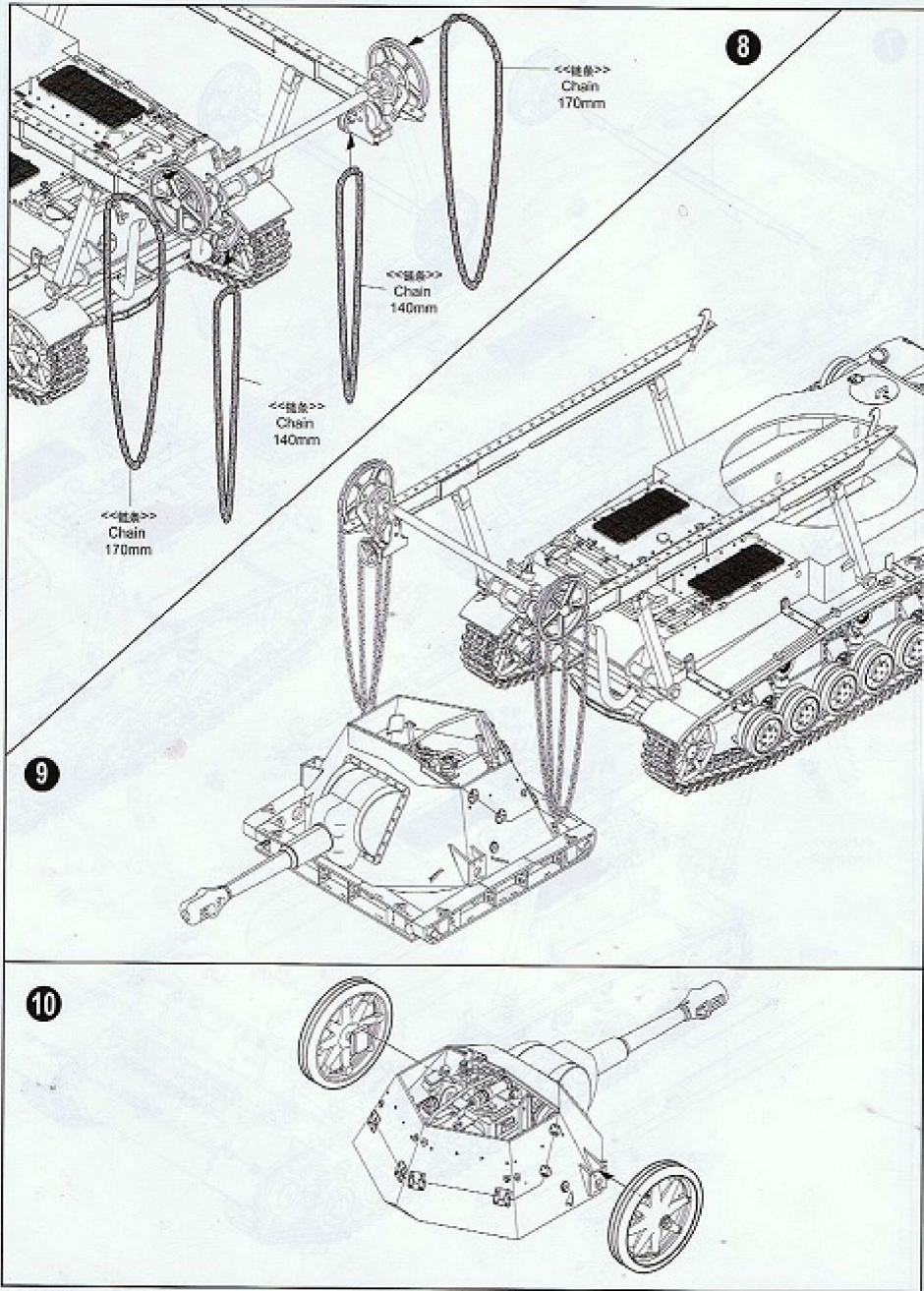
00373

7



0373

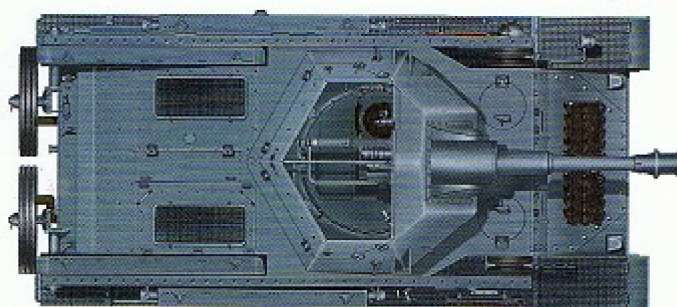
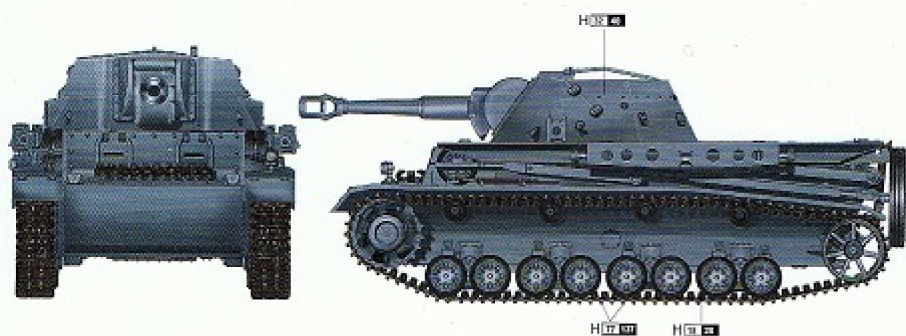
15



涂装同标贴指示
Painting & Marking guide

使用 MR.HOBBY 色料 Mr. COLOR USED

| | |
|-------------------------|--------------------|
| H03 青灰色 Steel Wash Dark | H02 灰绿色 Field Gray |
| H07 棕色 The Back | |



H03 AQUACOLOR HOBBY COLOUR

H02 MR.COLOUR

00373 1/35 German GW IVb (Grasshopper)le.FH18/1 L28