



# P-40B/C TOMAHAWK

1/72 scale

One of the most familiar aircraft of the Second World War was the famous Curtiss P-40. Originally flown in 1938, the first P-40 was actually a modified P-36 using an inline Allison engine instead of the P-36's bulky radial type.

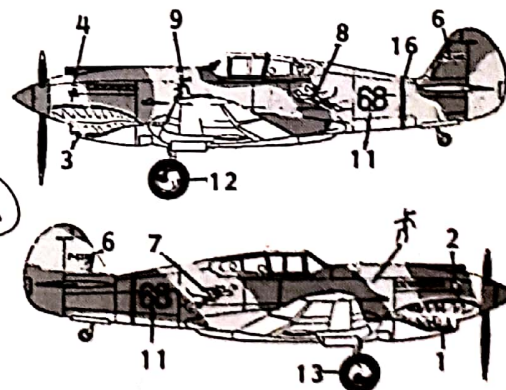
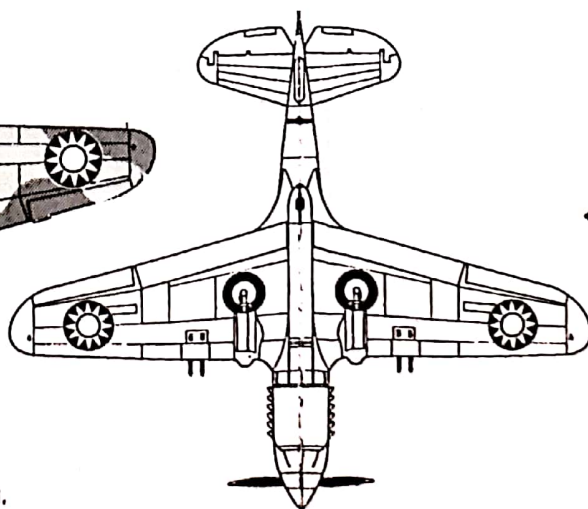
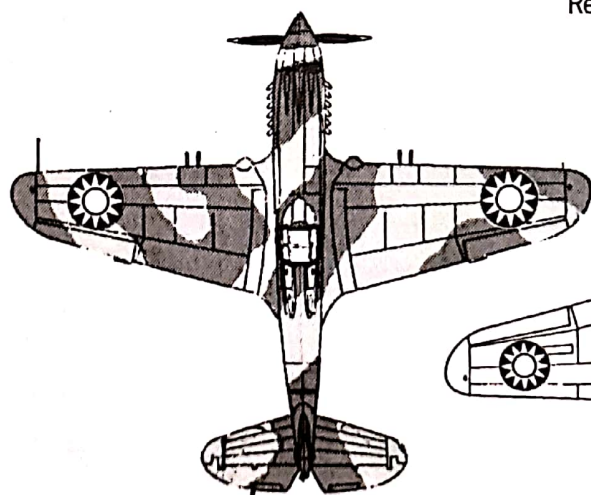
The improvement over the P-36 was clear. Now the U.S. Army had a fighter with the performance of a Hurricane or Messerschmitt. When the war broke out in Europe, France placed an order for the new Curtiss fighter, but these were deferred to England when the Germans overran France. The British, impressed by the performance of the P-40, placed an additional order for the Tomahawk, as it was now called. These were classed as P-40B types, and from this group came the planes which would gain fame as the Flying Tigers. The P-40C for the U.S. Army was nearly identical to the "B" models.

The Chinese, in need of a modern fighter to defend

against the invading Japanese, received a shipment of the British Tomahawks, and with them the renowned Flying Tiger group was formed. This group, under the command of General Claire Chenault, was made up of American volunteer pilots. Officially, they were known as the American Volunteer Group, or AVG, and each American pilot received a bonus in gold for every enemy plane he destroyed. The large radiator opening under the nose of the P-40 became the location of the familiar shark mouth design, which, although originally applied to British P-40s in Africa, soon became the identifying feature of the Flying Tiger aircraft.

This Minicraft/Academy model of the Curtiss P-40B/C carries the markings of the plane flown by Charles Older, of the 3rd squadron, "Hell's Angels", AVG, based at Kunming, China in the spring of 1942.

Refer to box top for additional Paint and decal information



**ACADEMY**  
HOBBY MODEL KITS



**Cement Parts**  
 Coller  
 Kleben  
 Pegar  
 Incollare  
 Colar  
 Kleven



**DO NOT cement**  
 Ne pas coller  
 Nicht kleben  
 No pegar  
 Non incollare  
 Nao colar  
 Niet kleven



**Cut away**  
 Couper  
 Scheiden  
 Cortar  
 Tagliare  
 Cortar  
 Snijden



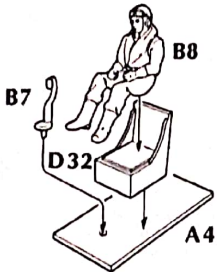
**Optional parts**  
 Choix  
 Auswahlmöglichkeit  
 Eleccion  
 Scelta  
 Opcao  
 Keuze



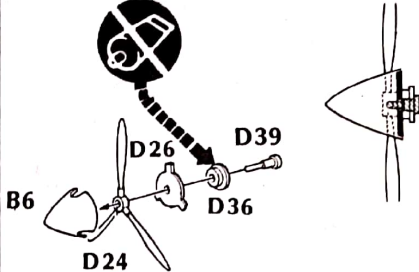
**3**

**Repeat operation**  
 Répéter l'opération  
 Vorgang wiederholen  
 Repetir la operación  
 Ripetere  
 Repetir a operação  
 Herhalen

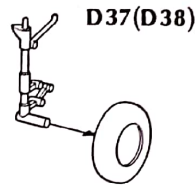
**1**



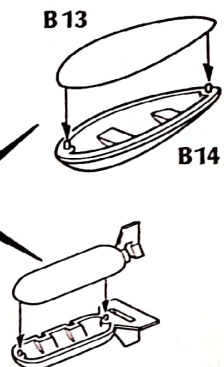
**2**



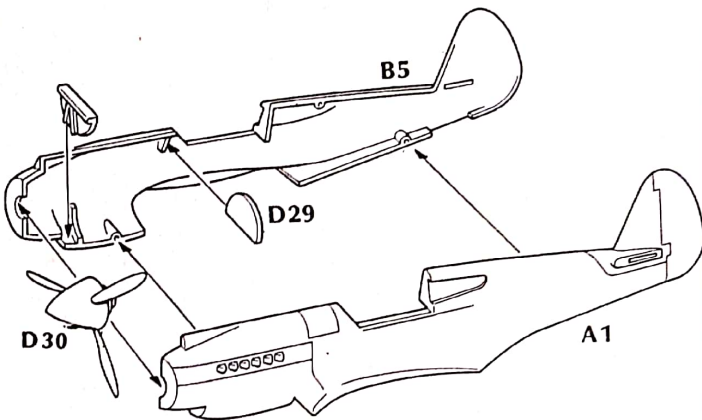
**3**



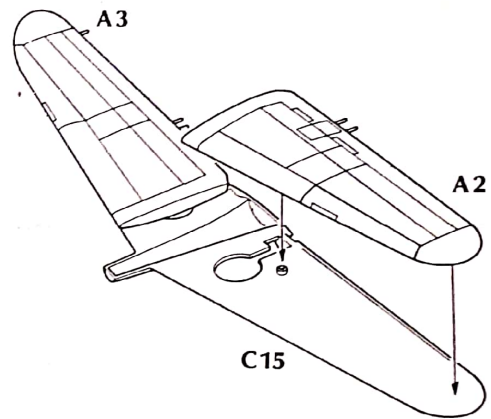
**4**



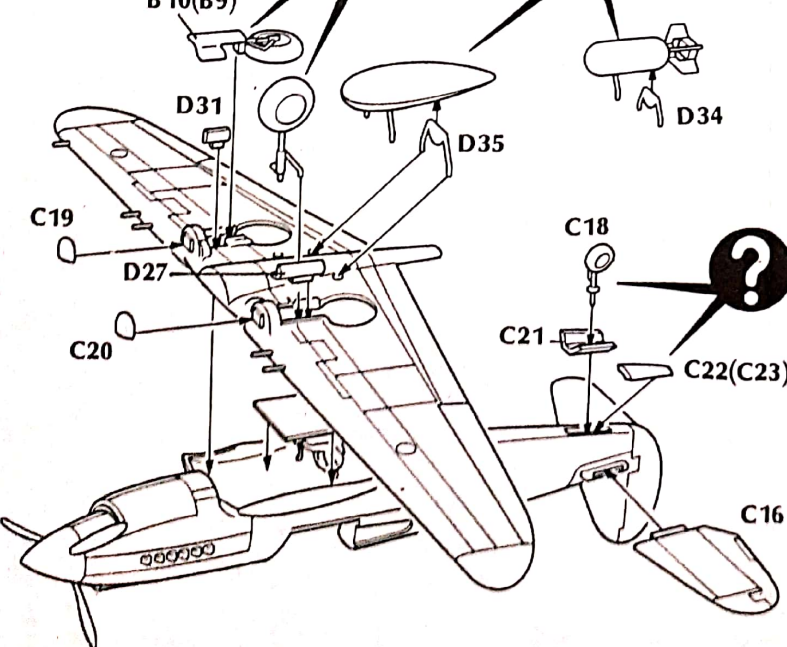
**5**



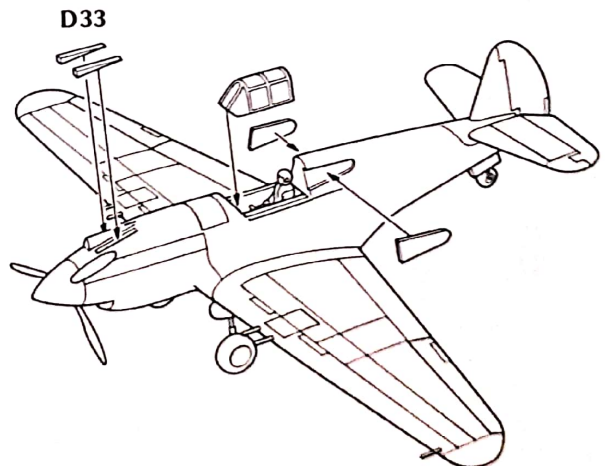
**6**



**7**



**8**



1655

**ACADEMY**  
 HOBBY MODEL KITS

MOOSEY MOOSE KITS  
ACADEMY



15



14



13



12



11



10



9



8



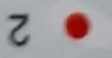
7



3



4



2



1

5

CURTISS P-40B/C #1655