

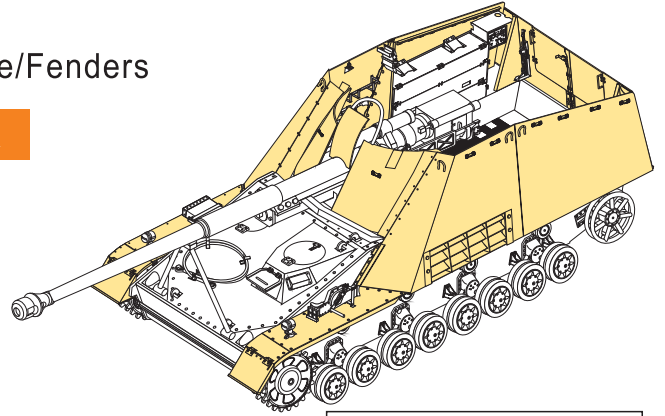
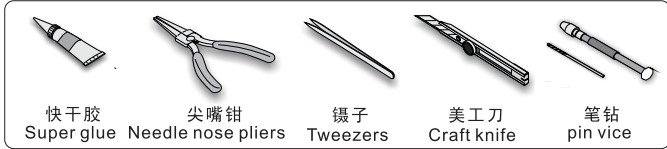
1/35 MILITARY MINIATURE VEHICLE UPGRADE SERIES PE35681

WWII German Sd.Kfz. 164 Nashorn Armour Plate/Fenders

二战德军“犀牛”自行反坦克炮装甲板翼子板

[For TAMIYA 35335]

推荐使用工具 RECOMMENDED TOOLS



- 安装
install
- 折叠
bend
- A1**

改造件零件编号
PE/resin part number
- B12**

原零件编号
kit part number
- C22**

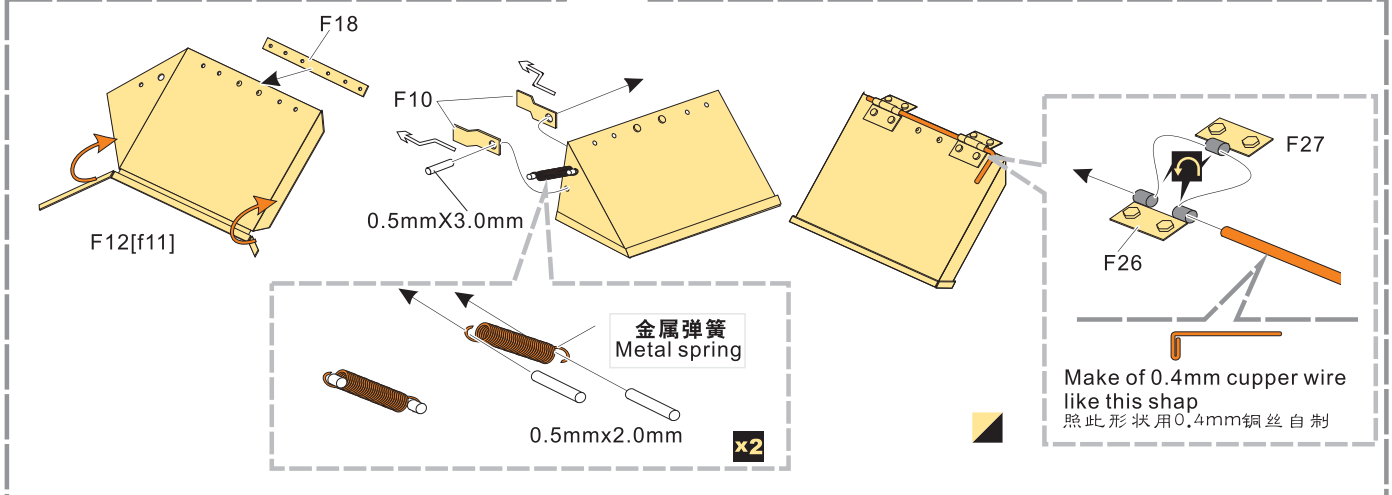
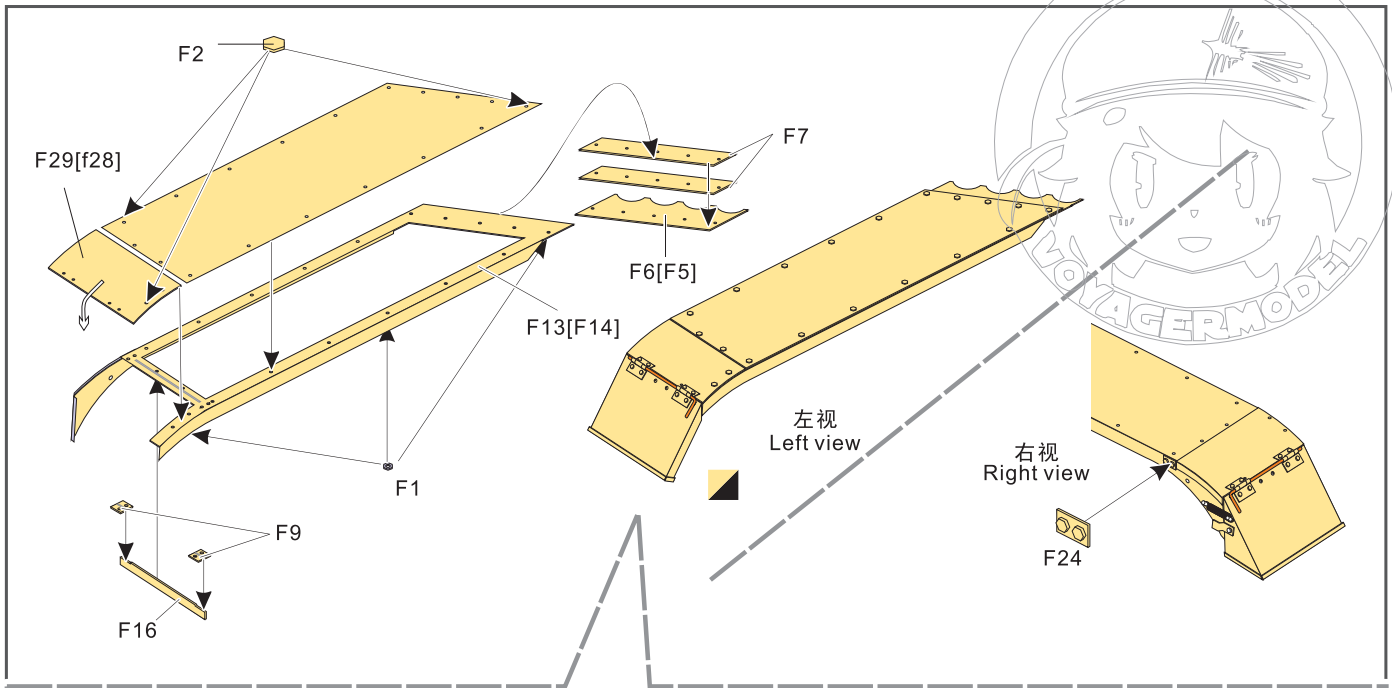
被替换的原零件编号
replaced kit part number
- 另一侧相同制作
repeat on opposite side
- 切除
remove
- 打磨
grind off
- 弧度卷曲
radial bending
- x2**

制作若干组
multiple assembly
- 选择安装
alternative
- 钻孔
drill
- 填补
fill

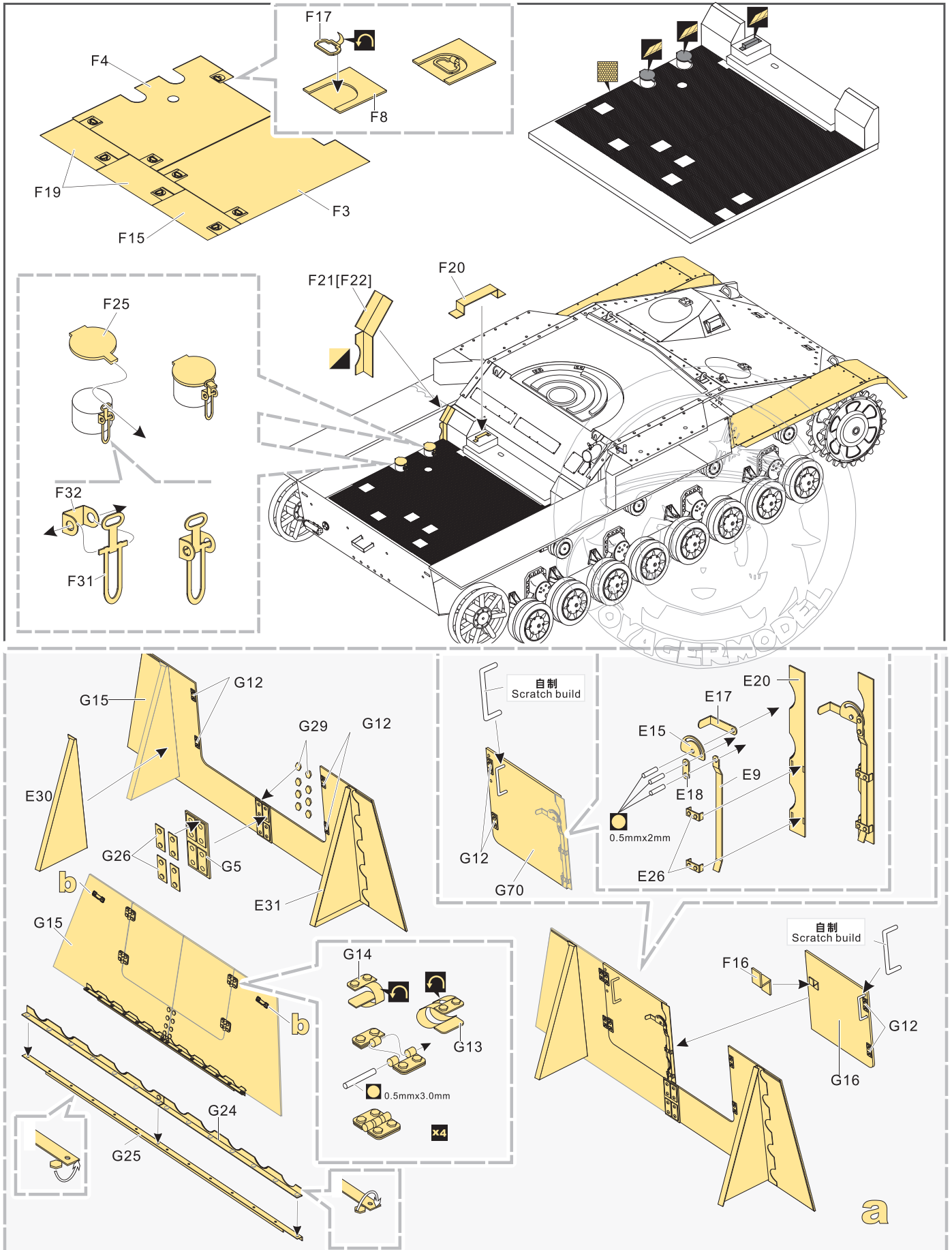
用尖端在凹槽处冲压
use penpoint to press on the dent

蚀刻片零件内槽面向上
Put the part upside down

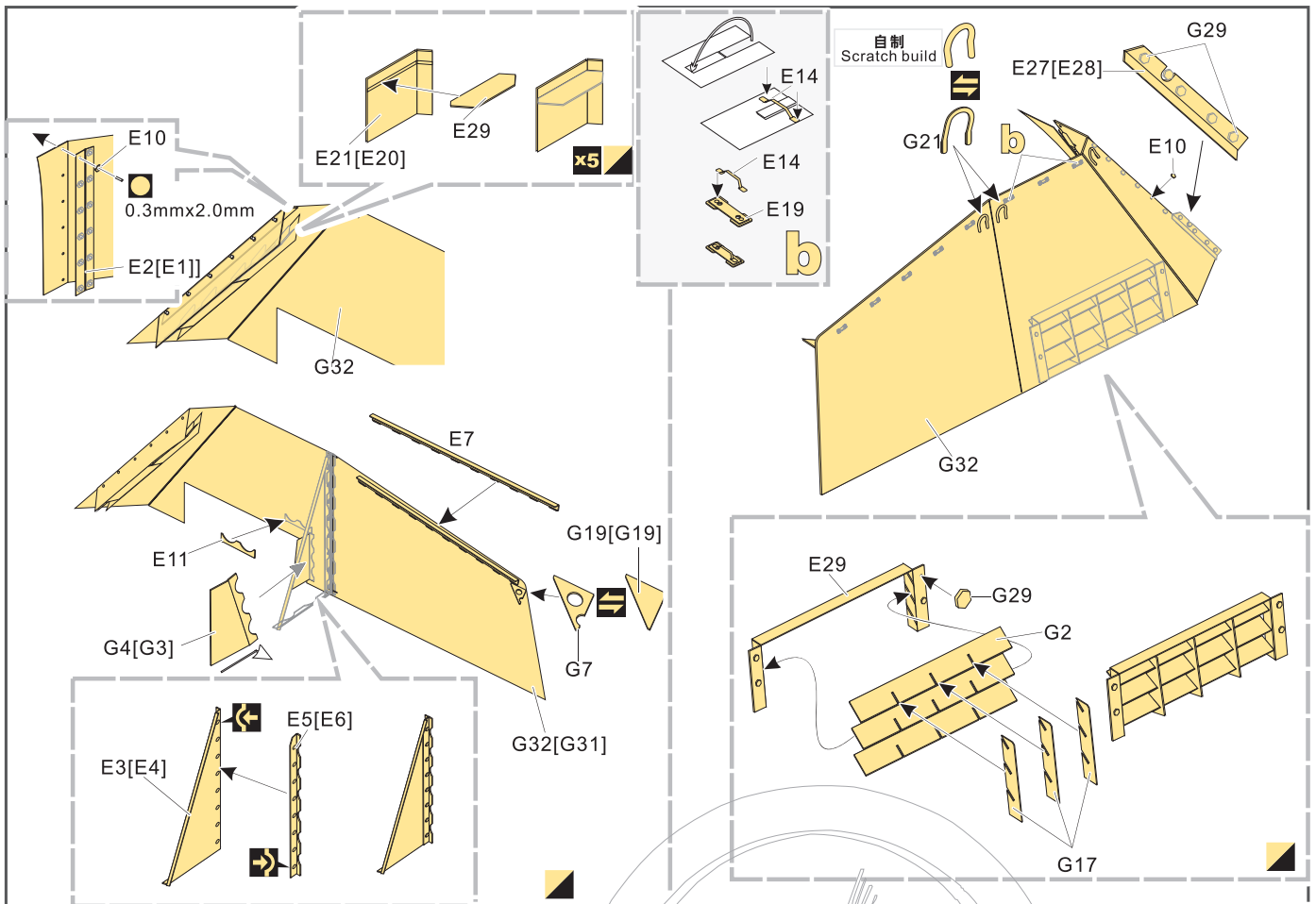
用笔尖在凹槽处刺
Use penpoint to press on the dent




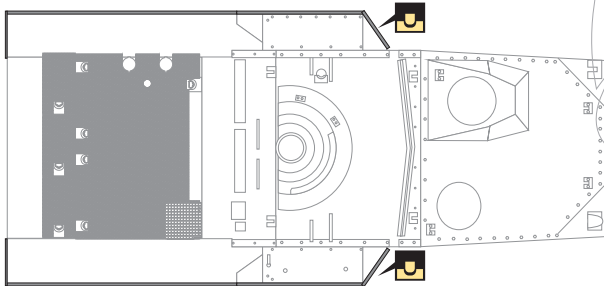
1/35 MILITARY MINIATURE VEHICLE UPGRADE SERIES PE35681



1/35 MILITARY MINIATURE VEHICLE UPGRADE SERIES PE35681



 使用约1mmx1mm胶板加宽出阴影部分
Use 1mmx1mm thin plastic sheet to block up the shaded area



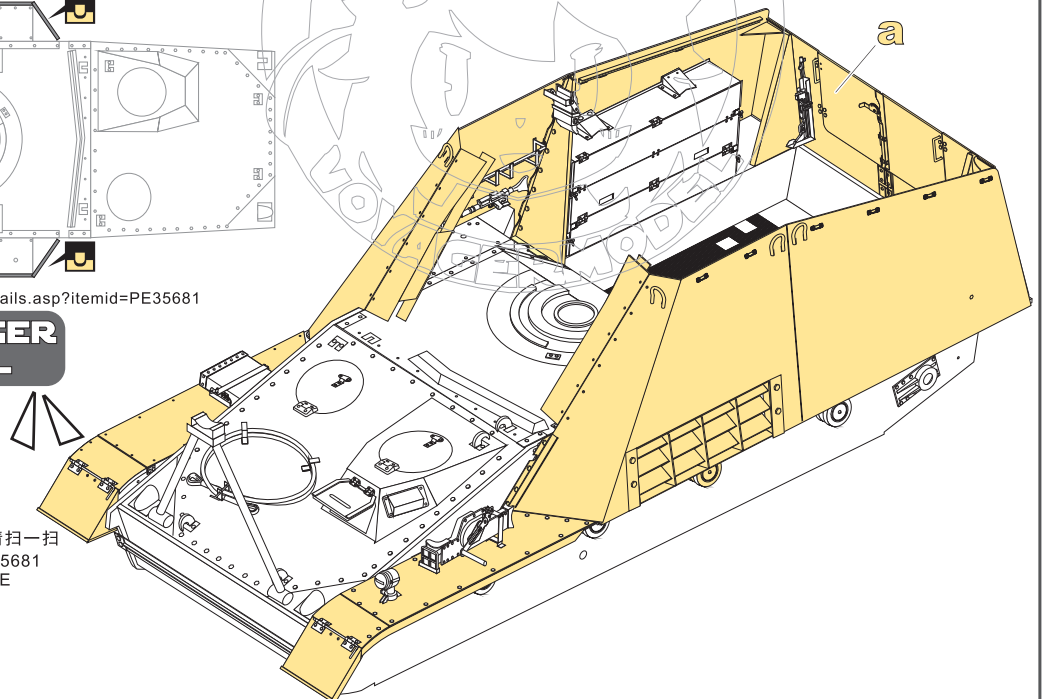
<http://www.voyagermodel.com/productdetails.asp?itemid=PE35681>



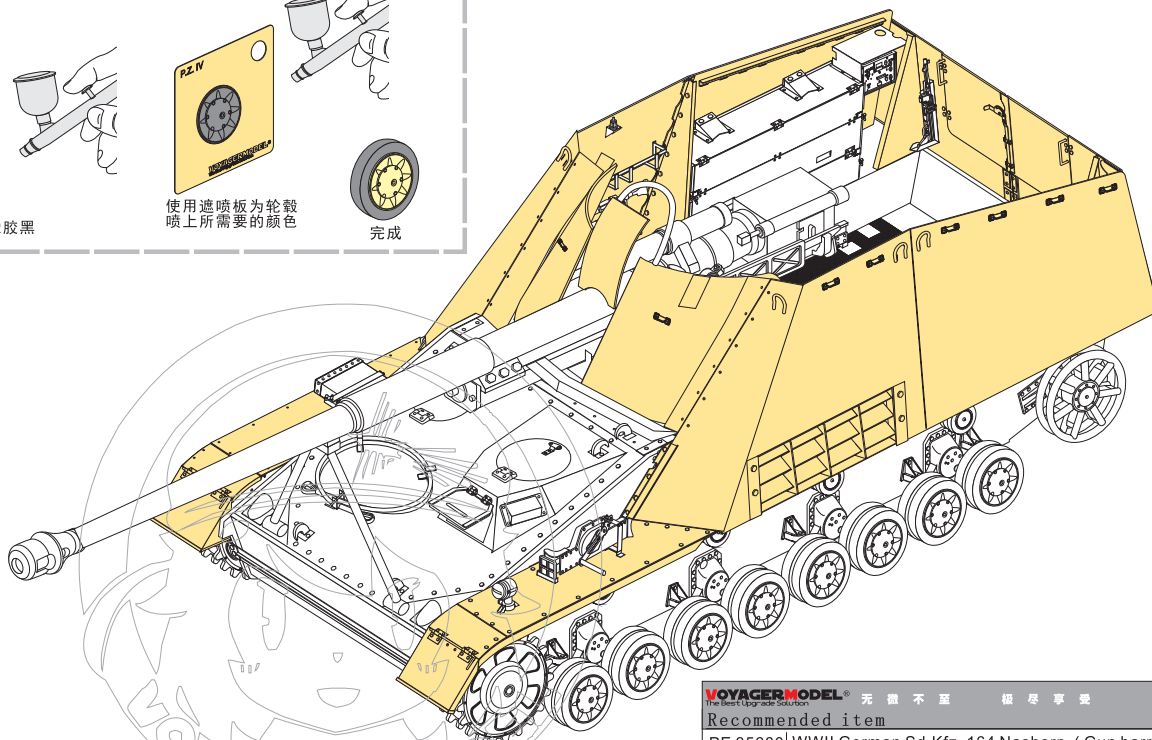
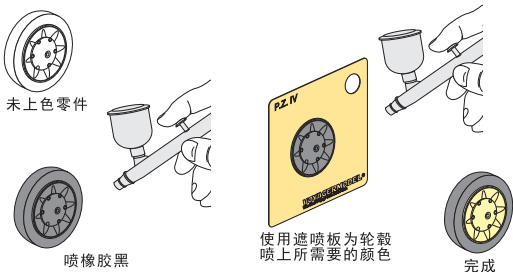
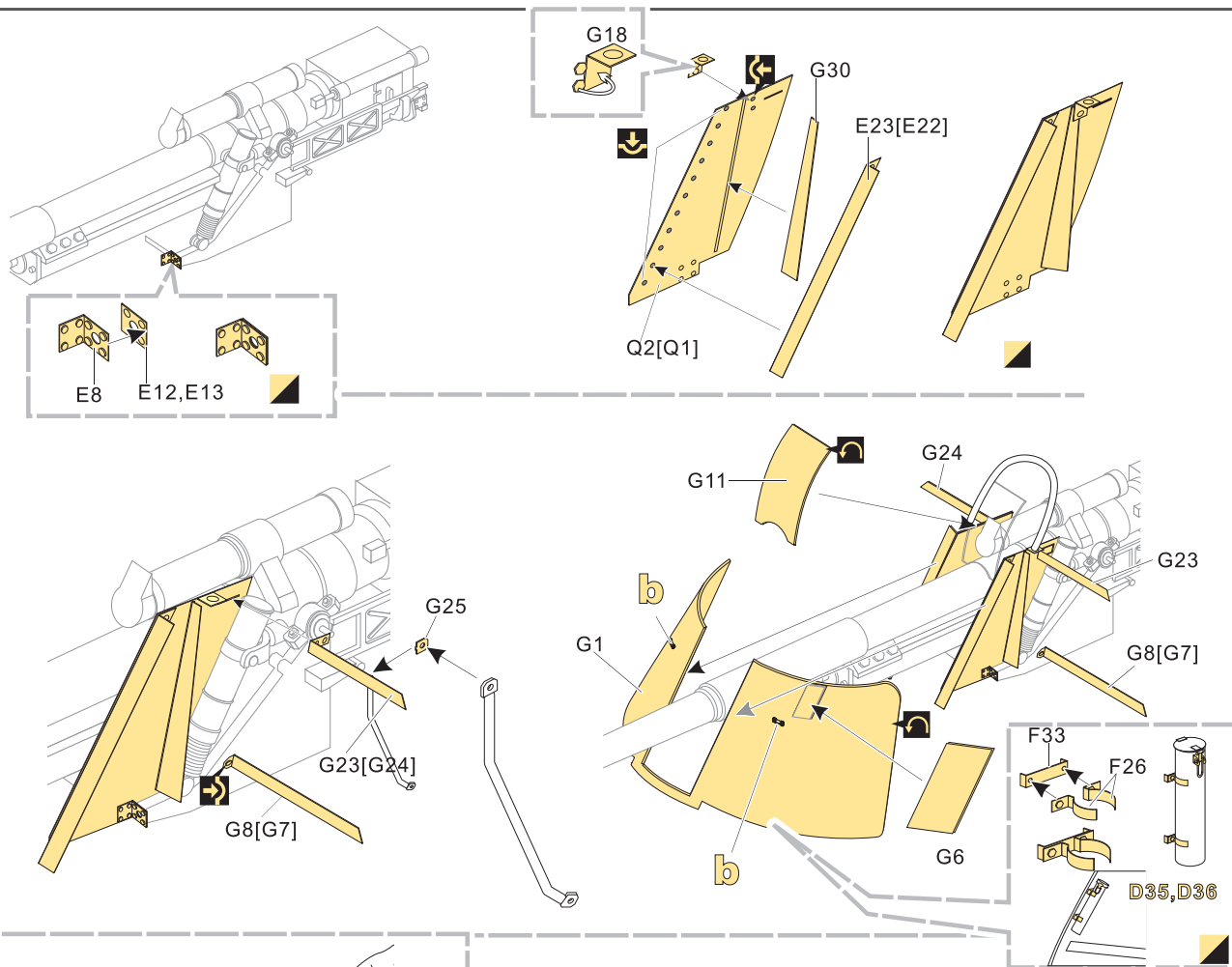
**VOYAGER
MODEL**



更多PE35681样品照片参考请扫一扫
MORE PICTUER OF PE 35681
REFERENCE SCAN HERE



1/35 MILITARY MINIATURE VEHICLE UPGRADE SERIES PE35681



VOYAGERMODEL® 无微不至 极尽享受

Recommended item	
PE 35680	WWII German Sd.Kfz. 164 Nashorn (Gun barrel Include)
VBS0184	WWII German 88mm PaK43/41 Barrel
VBS0315	WWII German 88mm L/71 Ammunition (12PCES)
VBS0316	WWII German 88mm L/71 Ammunition cartridge (12PCES)