

# 1:72 SCALE

# Bf109E-3



## EASY ASSEMBLY AUTHENTIC KIT



cyanoacrylate glue  
强力胶



weight  
配重



make hole  
钻孔



cut / remove  
切除



option  
选择



no cement  
不涂胶水



decal  
贴纸



bend  
弯曲

### The way to apply the decals

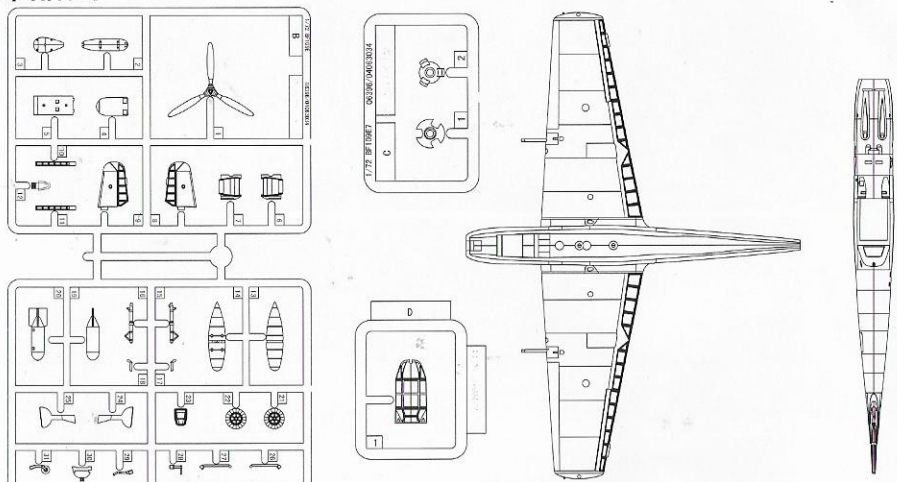
1. Cut off the decal from the decal paper and put it into the warm water 40°C for 10 seconds.
2. Take the decal from the water and put it on a piece of clean cloth.
3. Remove the decal slowly from the paper to the targeted location by a wet finger.
4. Use a piece of dry and soft cloth to press it gently on the decal until it getting dry and no bubble existing.

### 水贴纸的使用方法:

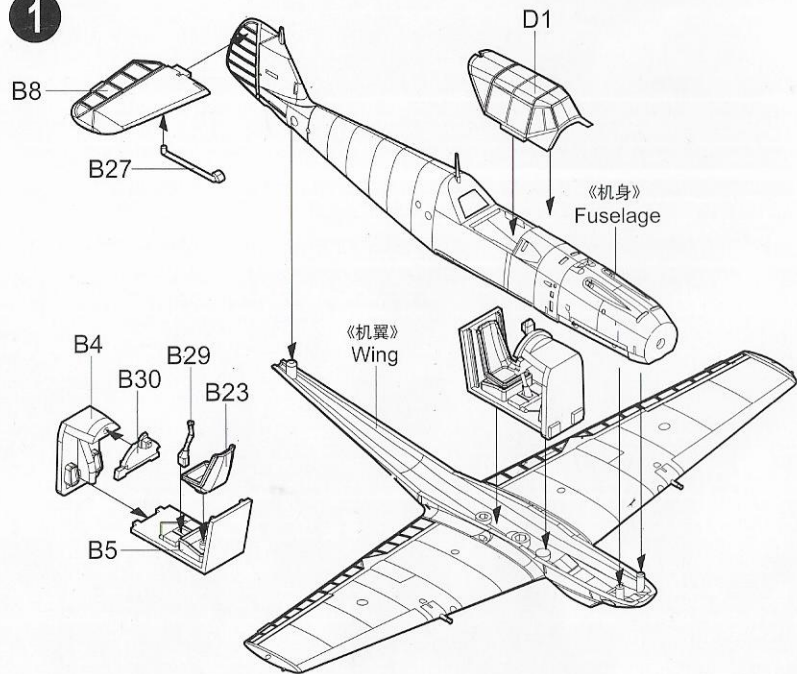
- 一. 把相关的印花从水贴纸上剪下, 放入40°C左右的温水中浸10秒。
- 二. 然后将印花放在干净的布上。
- 三. 拿上印花纸板, 手指蘸水将印花移到适当的位置。
- 四. 用软干布轻压印花直至水干, 气泡消失。

80253

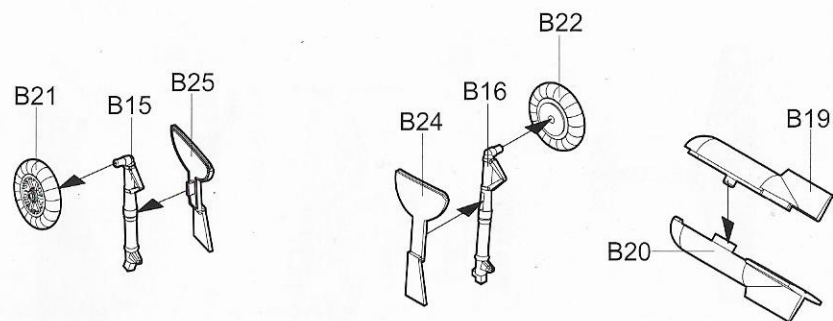
部品图 Parts



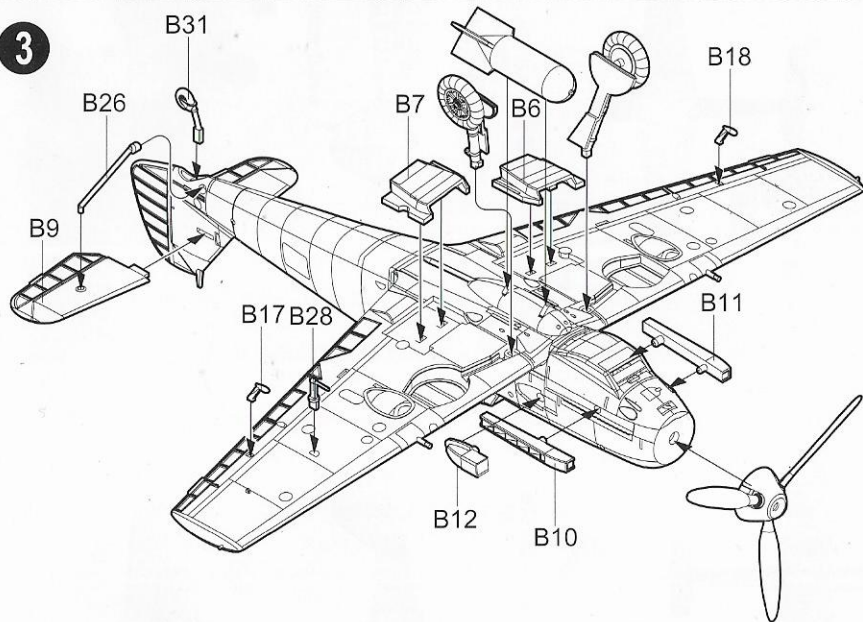
1



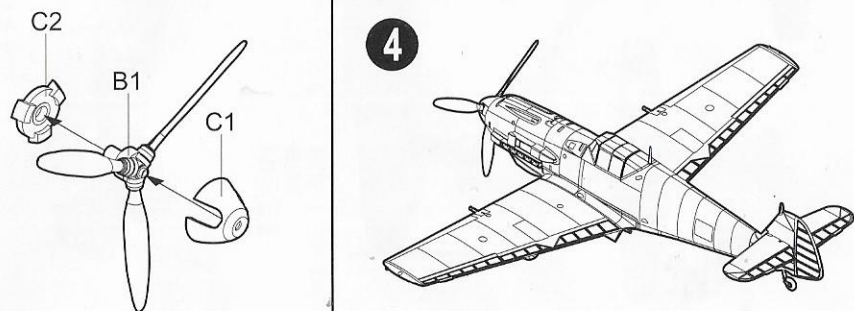
2



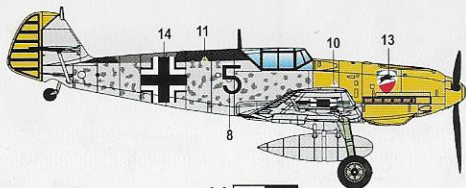
3



4



1/JG52

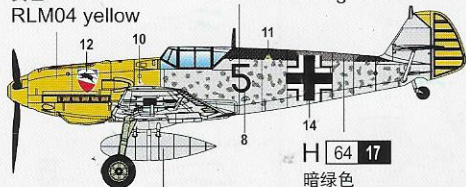


H  113

黄色  
RLM04 yellow

H  65 18

墨绿色  
RLM70 black green

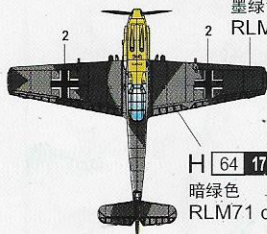
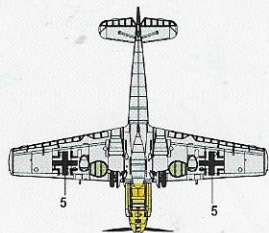


H  64 17

暗绿色  
RLM71 dark green

H  20

浅蓝色  
Light blue



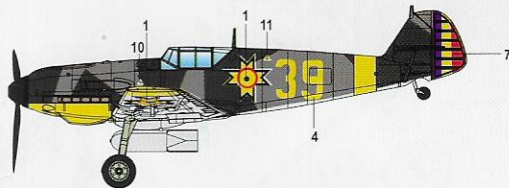
H  65 18

墨绿色  
RLM70 black green

H  64 17

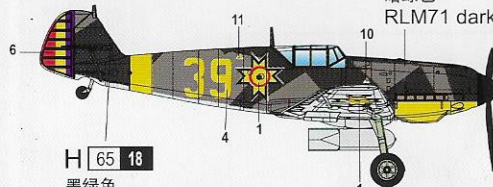
暗绿色  
RLM71 dark green

Romania Air Force



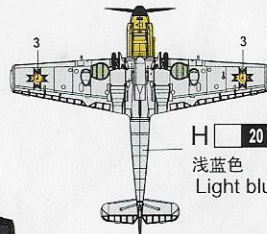
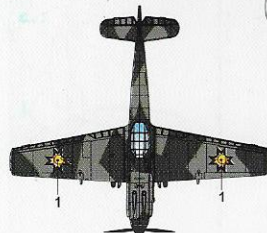
H  64 17

暗绿色  
RLM71 dark green



H  65 18

墨绿色  
RLM70 black green



H  20

浅蓝色  
Light blue

涂装同标贴指示  
Painting & Marking guide

H  GUNZE SANGYO AQUEOUS HOBBY COLOUR

X  GUNZE SANGYO MR.COLOUR

※ Some paints may not be available in your country. Please check your local hobby shop for substitute



1



1



2



3



39

4

39



5



6



7

5 5

8

15



9



10

11



16

15

16



12



13



14



1/72 80253 BF109E3

**HOBBY BOSS**

**1/72 SCALE**

MODEL BRIEF

LENGTH: 121.5MM

WING SPAN: 137.5MM

HEIGHT: 48.5MM

TOTAL PARTS: 36PCS

DECAL: 1/JG52

ROMANIA AIR FORCE

**Bf109E-3**

**EASY ASSEMBLY AUTHENTIC KIT**

AGES 14 & UP

**Bf109E-3型战斗机**